



MANUAL



Table of Contents

Special note.....	3
Maintenance and Inspection	3
I.Inspection	3
1.Parts list	4
2.Half-Assembly type parts list.....	5
II.Machine view/size and power rating.....	6
III.Component description	6
IV.Assembly and disassembly	7
1. Assembly and disassembly for Assembly type.....	7
2. Assembly and disassembly for Half-Assembly type	19
3. 【SET-UP Position & maintenance】	28
V.Adjustment and Inspection	28
1.Link adjustment.....	29
【Cable link SET-UP】	29
【Link main board adjustment】	30
2.Adjustment.....	31
【SET-UP 1】 SET-UP the coin entry price for each game	31
【SET-UP 2】 Additional tickets	32
【SET-UP 3】 Multiple of tickets	32
【SET-UP 4】 Game Time SET-UP	33
【SET-UP 5】 Basket motor AUTO test	34
【SET-UP 6】 Ball holder motor AUTO test	34
【SET-UP 7】 Reset the top score 250 or keep the record	34
【SET-UP 8】 SET-UP DEMO music (ON or OFF)	34
3.LED Monitor inspection.....	35



4.Bookkeep 35

5.Error code 36

VI.How to play 37

 1.There are total 4 Stages 37

 2.2 play types available..... 38

VII.Screw and Nut list 38

VII.Expended view..... 40

Special note

We want to thank you for choosing our Street basketball machine,
and hope you read these instructions first to insure the security
of the user before this product is used.

This Manual contains the characteristics, special notes, and a
Simple breakdown of the product.

Maintenance and Inspection

- Keep the machine clean by using mild types of cleaners.
- Clean the machine regularly to maintain its appearance.
- The appliance must not be cleaned by a water jet.
- Treat acrylic with care by using Windex



Machine position regulation

The power must be turned off before any movement.

The brake must be released, before the machine is moved.

Do not put the machine under the direct sunlight, it will damage the inside parts.








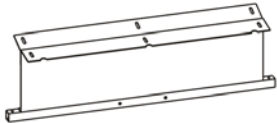



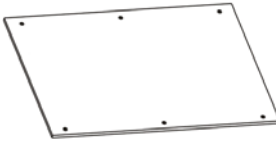
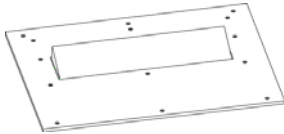
I. Inspection

Before product use, please confirm the product content first, if anything is missing, please contact us right away.



NO	Items	Specification	Total quantity
1	Chassis items	Packing	1 unit
2	Street basketball	No.5 Basketball	10 unit
3	Key	Maintenance door	1 pc
4	key	Cash box	1 pc
5	AC cable line		1 unit
6	Operation manual	A4	1 set

1.Parts list

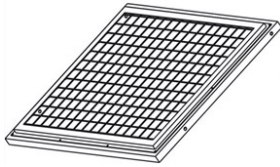
<p>1B Basket kits</p> 	<p>2A Basket board</p> 	<p>2BR Back right net stander kit</p> 	<p>2BL Back left net stander kit</p> 
<p>2C 2 Front net stander bridge(short)</p> 	<p>3A Front right net stander kit</p> 	<p>3B Front left net stander kit</p> 	<p>4A Base holder BF</p> 
<p>4D Base holder BB</p> 	<p>4B Base holder FB</p> 	<p>4C Base holder FF</p> 	<p>5A Wooden base A type</p> 
			<p>5B Ball holder kit</p> 



5C Ball guide kits



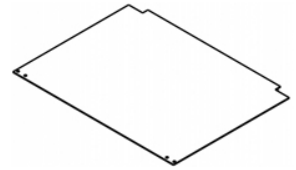
6A Ball net holder kit



6B Main part



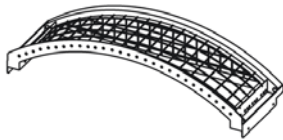
6C Block wooden board for motor



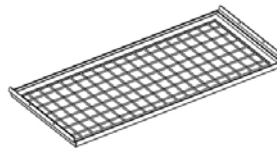
Basketball



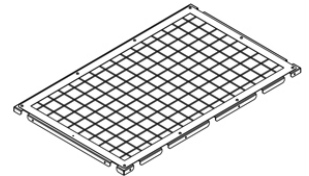
Top cover(optional)



Metal Shelf (optional)

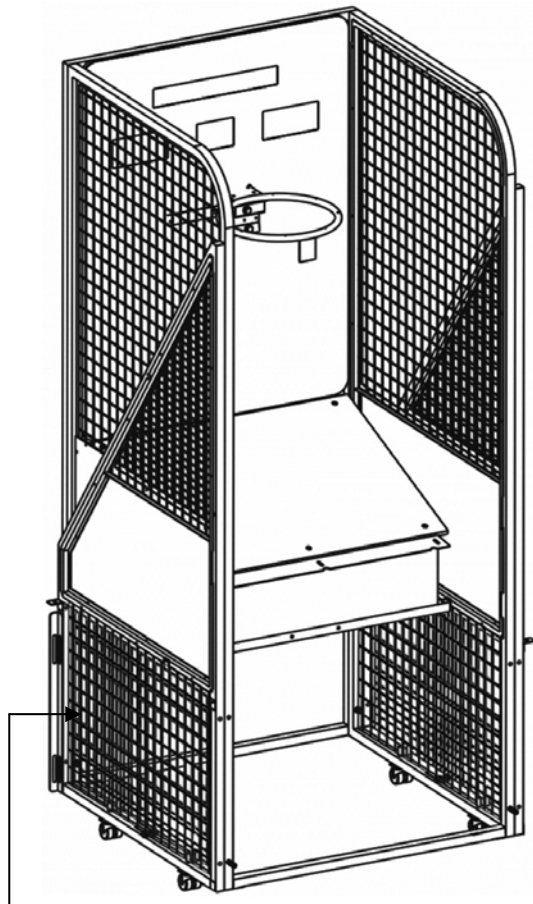


Lower Side Net (Frame Included)×4 (optional)



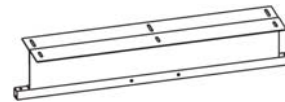
2.Half-Assembly type parts list

Main frame



Lower Side Net (Frame Included)×4 (optional)

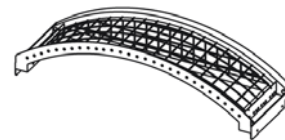
4B Base holder FB



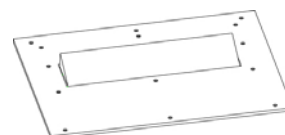
4C Base holder FF



Top cover(optional)



5B Ball holder kit

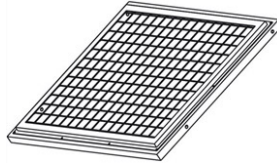




5C Ball guide kits



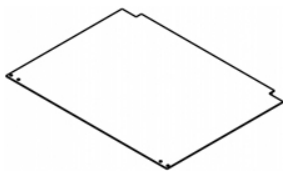
6A Ball net holder kit



6B Main part



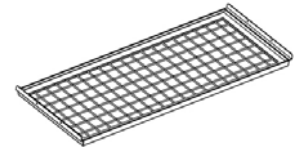
6C Block wooden board for motor



Basketball



Metal Shelf (optional)



II. Machine view/size and power rating

Machine Dimensions : W1030×D2500×Top cover H2643mm

Weight : 260 kg / 558.4 lbs (Accessories not Included)

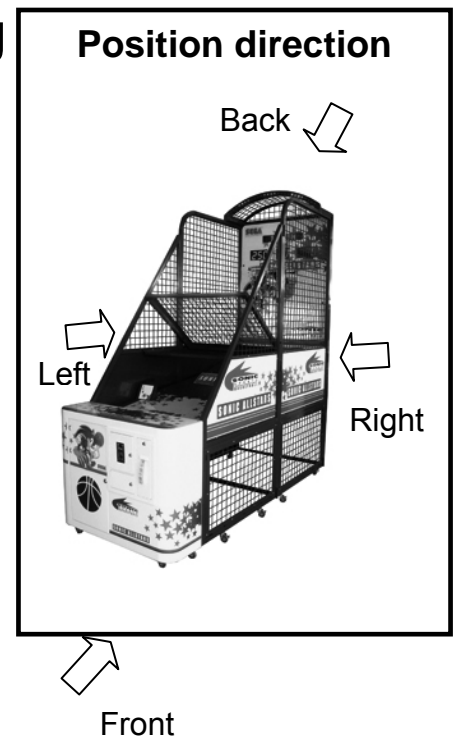
(Top cover 6.6kg, Metal Shelf 3.4kg, Lower Side Net 4.2kg×4)

Voltage : AC110V~120V/AC220V~240V(50/60Hz) Use Electrical plug display as a glide Located behind the machine.

Power Consumption : 200W

Fuse : 2A (AC220V~240V) / 5A (AC110V~120V)

Token size : φ22mm~27mm

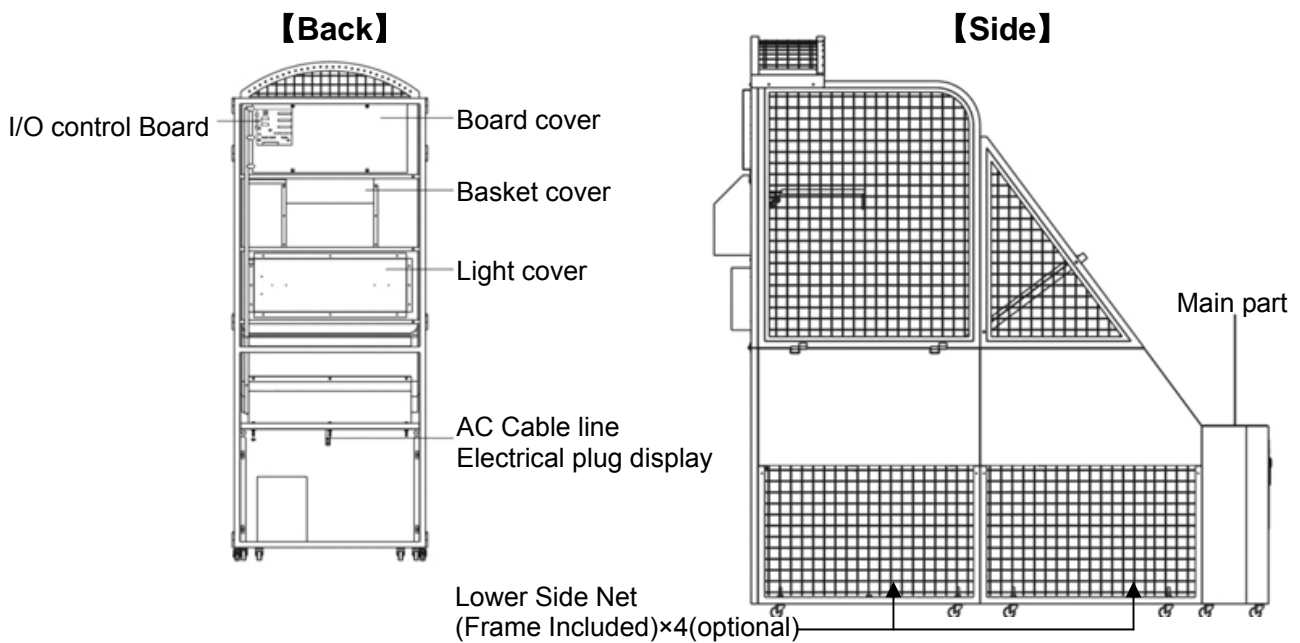
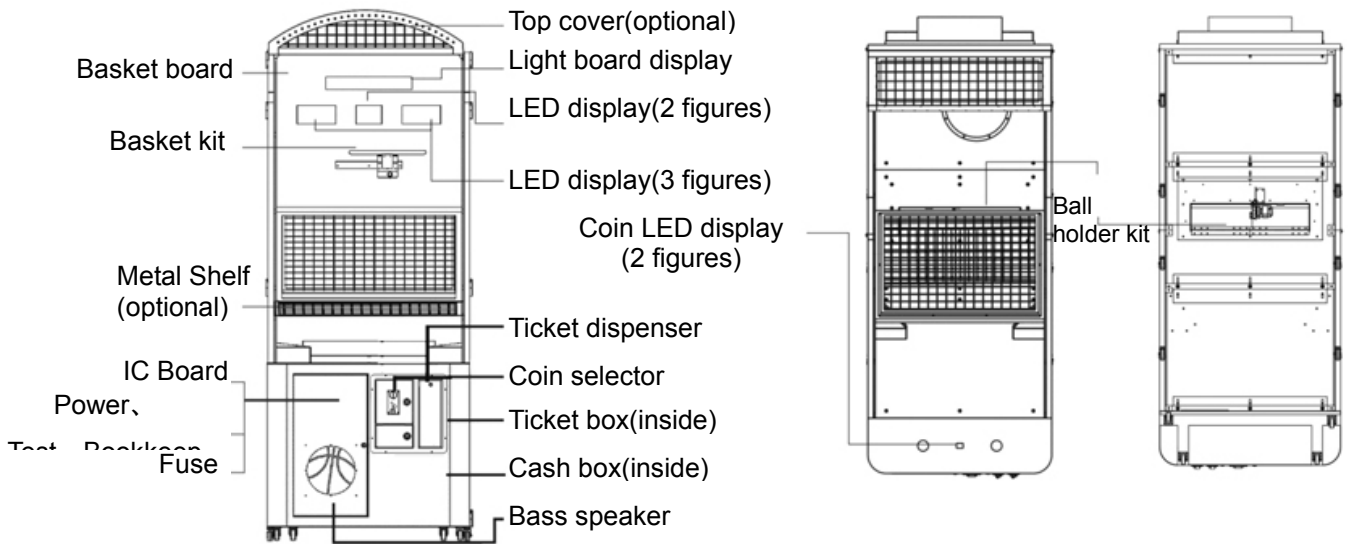


III. Component description

【Front】

【Top】

【Base】

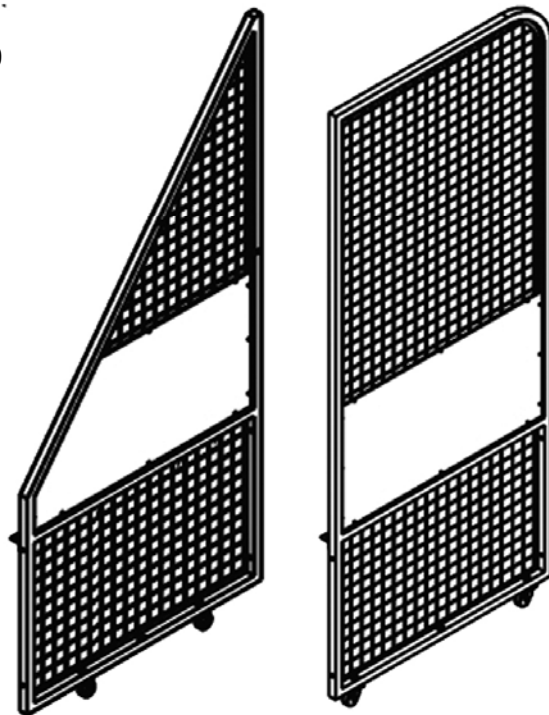
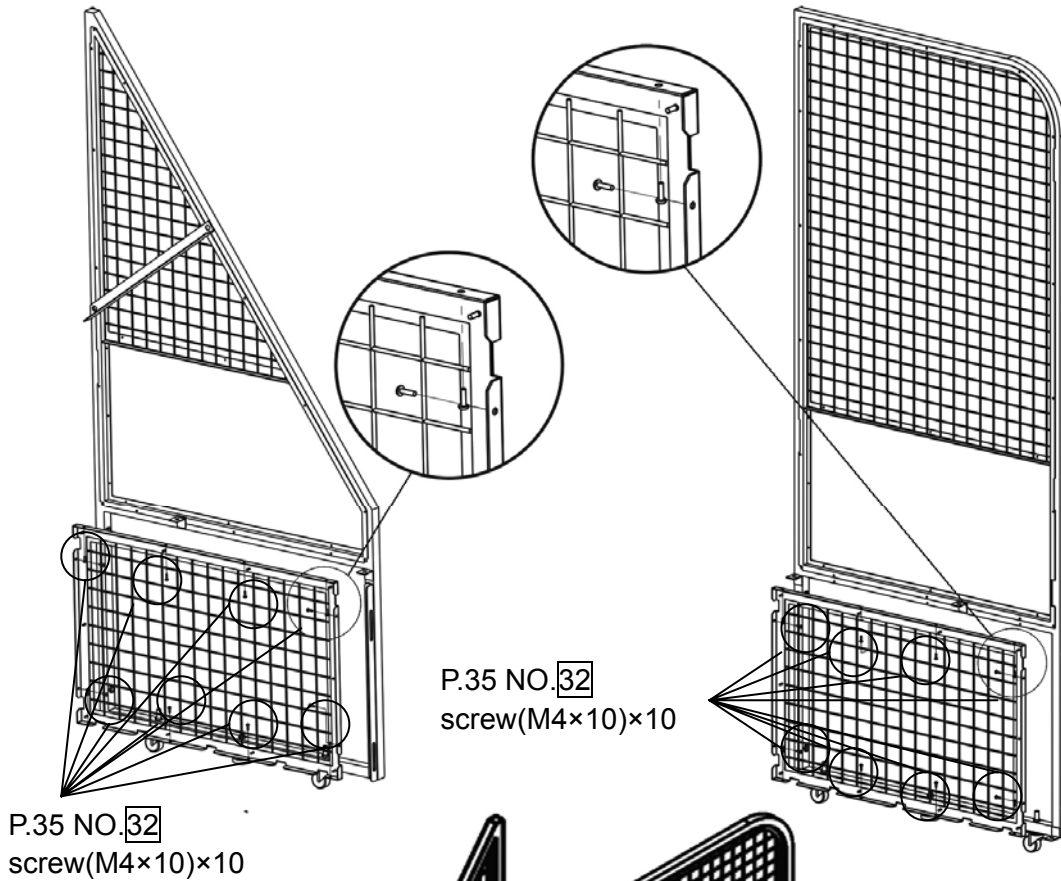


IV. Assembly and disassembly

1. Assembly and disassembly for Disassembly type

Step 1 :

1.Screw **【Lower Side Net (optional)】** on the basket board front.



Assembly parts

- 2BR Back right net stander kit
- 2BL Back left net stander kit
- 3A Front right net stander kit
- 3B Front left net stander kit
- Lower Side Net(Frame Included)

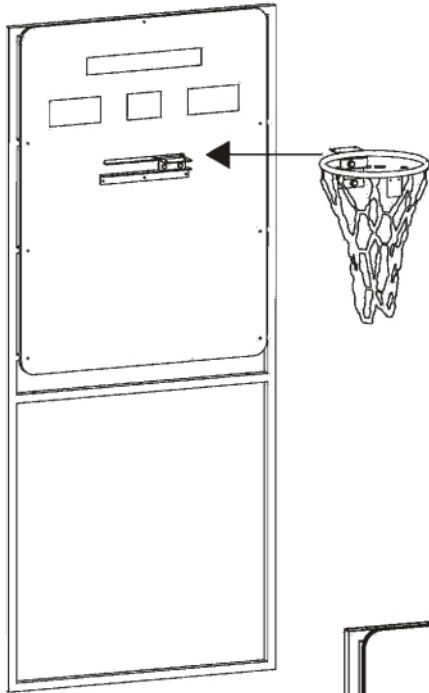
Step 2 :

- 1.Screw 【1B Basket kits】 on the basket board front.

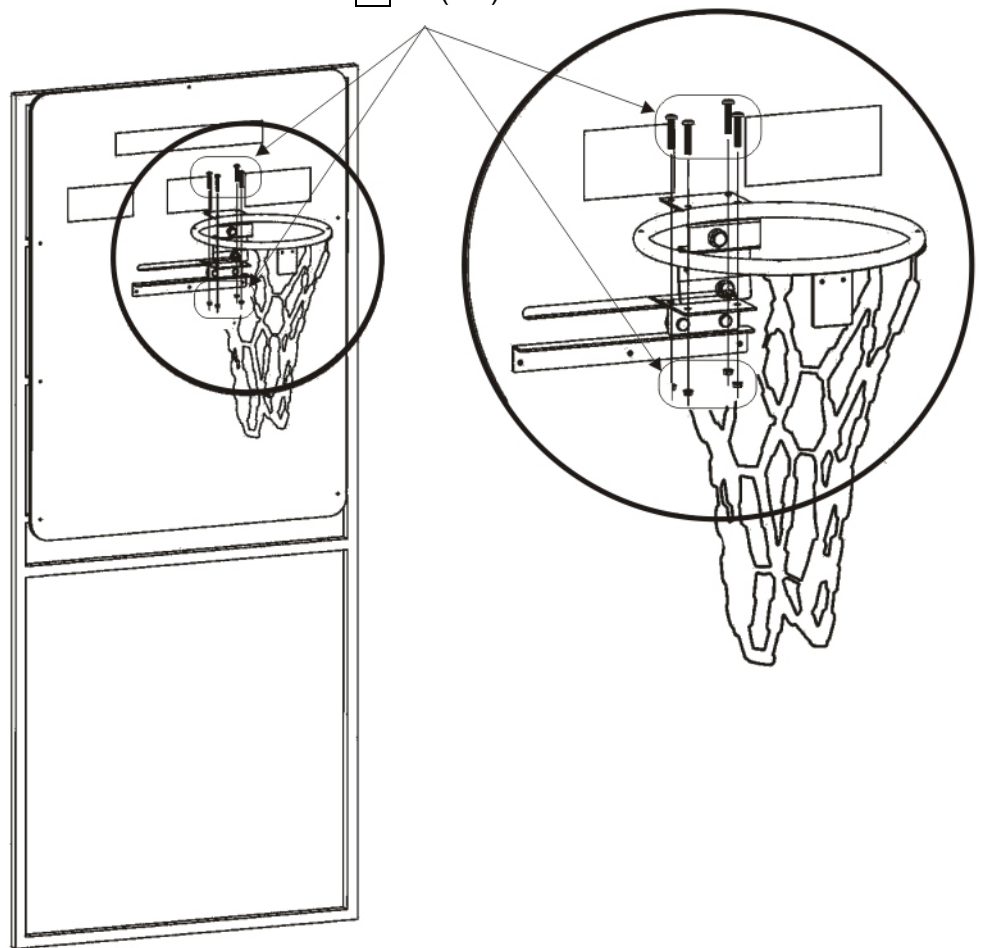


Assembly parts

- 1B Basket kits
- 2A Basket board

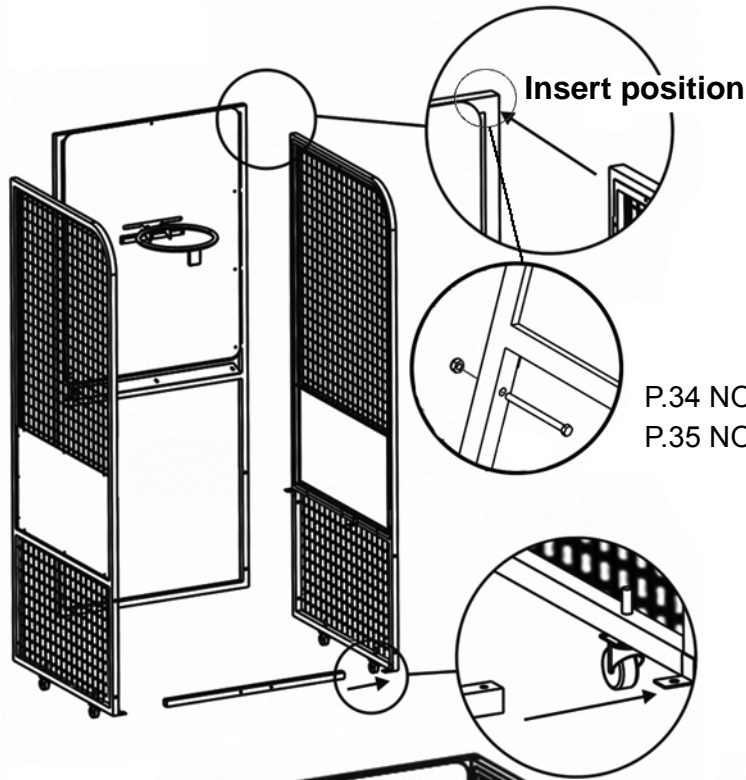


P.34 NO. 13 screw(M6×18)×2
screw(M6×16)×2
P.35 NO. 21 nut(M6)×4



Step 3 :

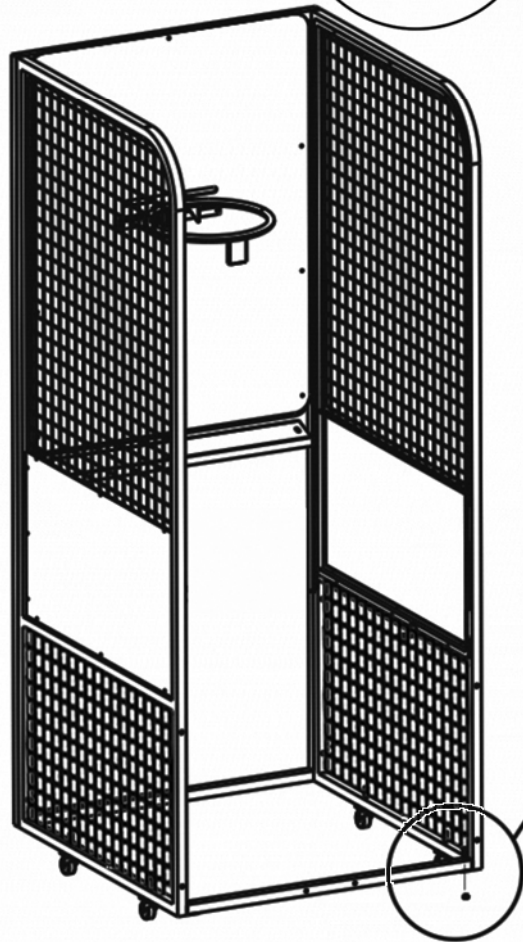
1. Screw **【2BR、2BL Back left & right net stander kits】** on basket board left and right.
2. Screw **【2C Front net stander bridge(short)】** on Back left & Right net stander kits.



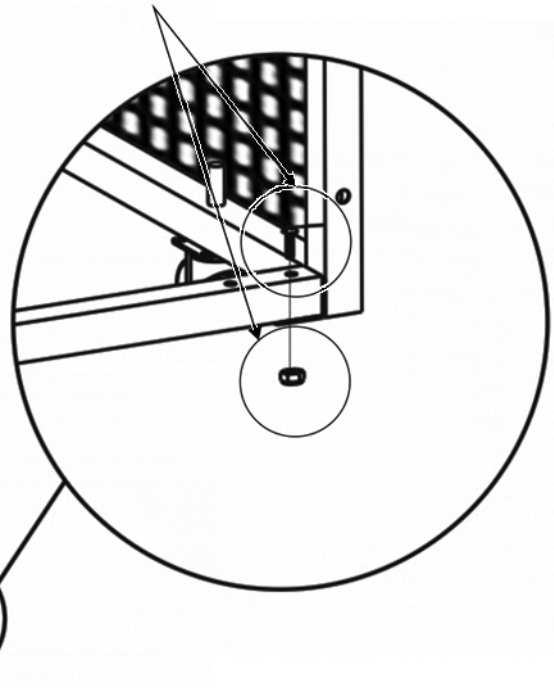
Assembly parts

- 2A Basket board
- 2BR Back right net stander kit
- 2BL Back left net stander kit
- 2C Front net stander bridge(short)

P.34 NO. 04 screw (M8×88)×4
 P.35 NO. 19 nut (M8)×4



P.34 NO. 10 screw (M6×48)×2
 P.35 NO. 20 nut (M6)×2

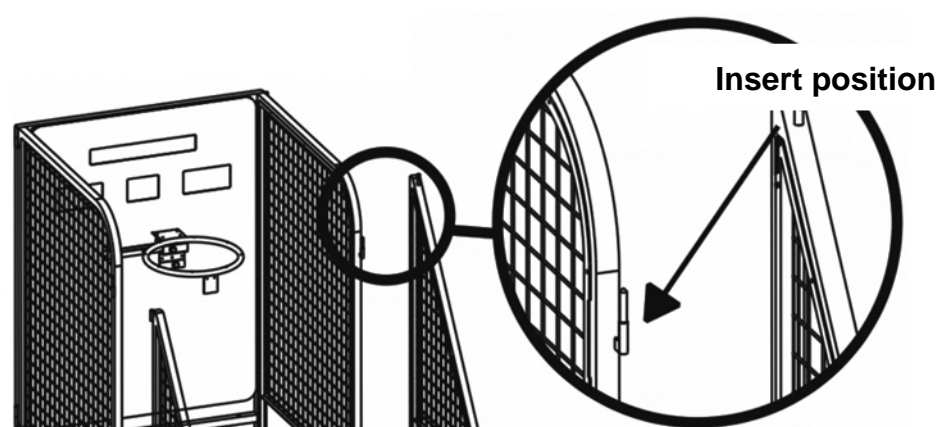


Step 4 :

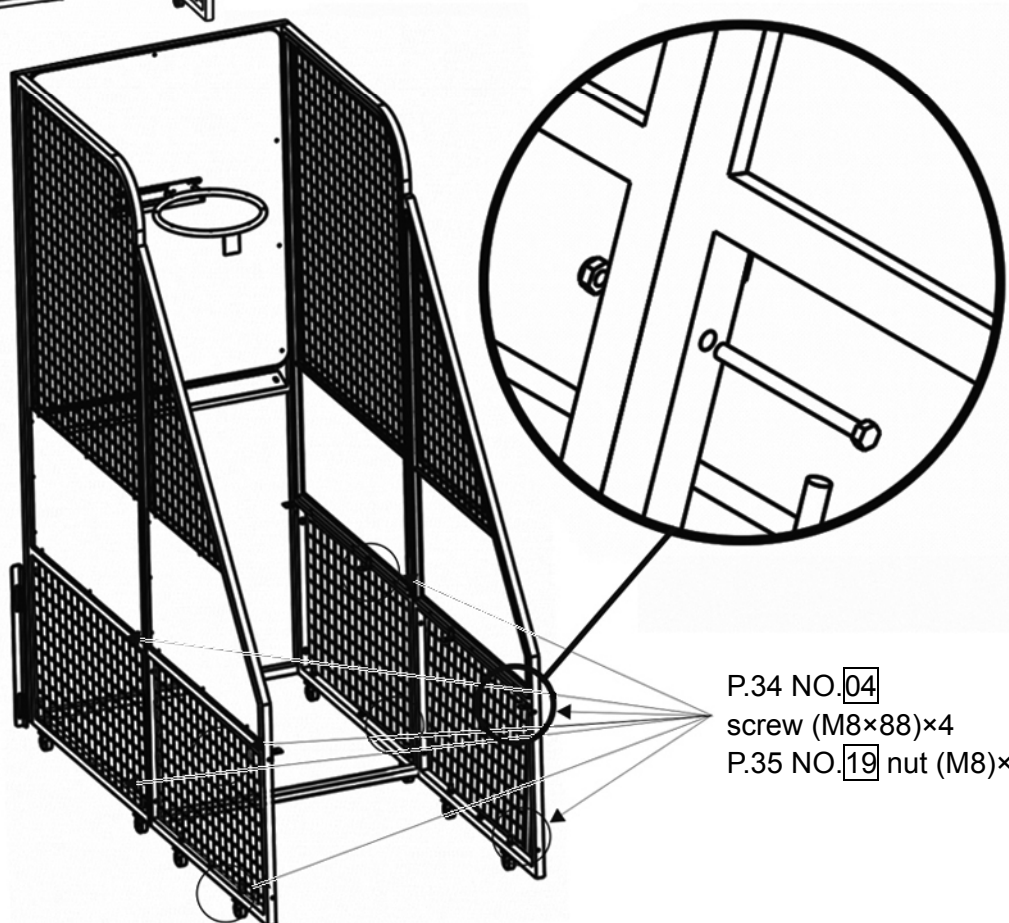
Assemble【3A, 3B Front right & left net stander kit】on basket board left and right,



connect with screw & fixed it as drawing.



Assembly parts
3A Front right net stander kit
3B Front left net stander kit



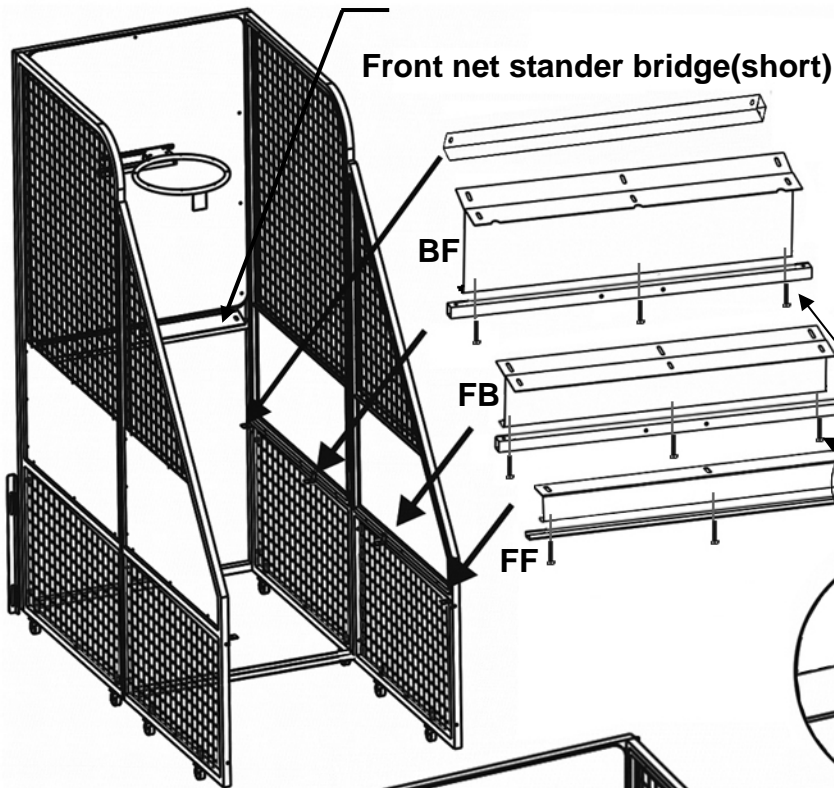
P.34 NO.04
screw (M8×88)×4
P.35 NO.19 nut (M8)×4

Step 5 :



Screw the **【BF、FB、FF Base holders & Front net stander bridge(short)】** step by step as drawing.

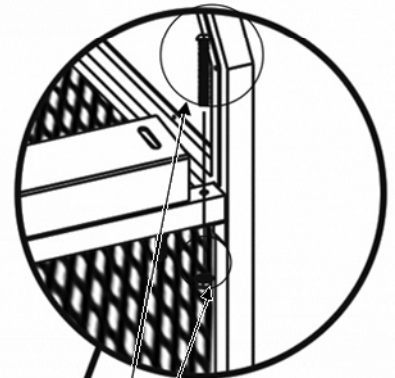
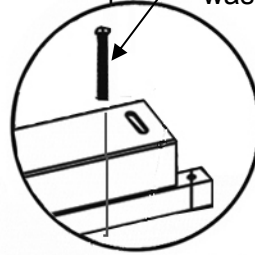
Base holder BB



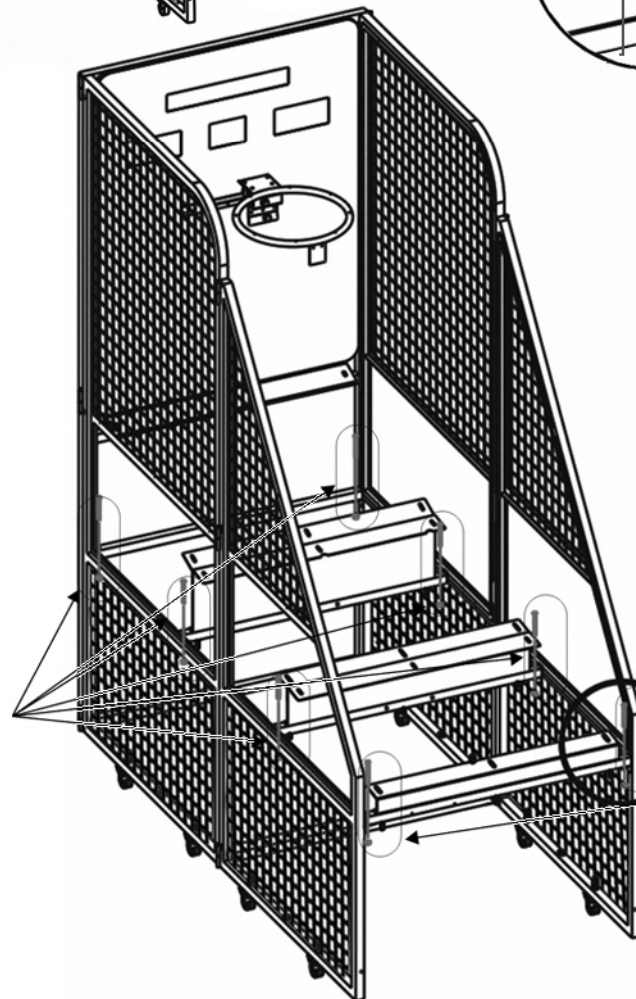
Assembly parts

- 2C Front net stander bridge(short)
- 4A Base holder BF
- 4B Base holder FB
- 4C Base holder FF
- 4D Base holder BB

- P.34 NO. **10** screw (M6×48)×9
- P.35 NO. **20** nut (M6)×9
- P.35 NO. **30** washer(M6.5×13.5)×9



- P.34 NO. **10** screw (M6×48)×6
- P.35 NO. **20** nut (M6)×6

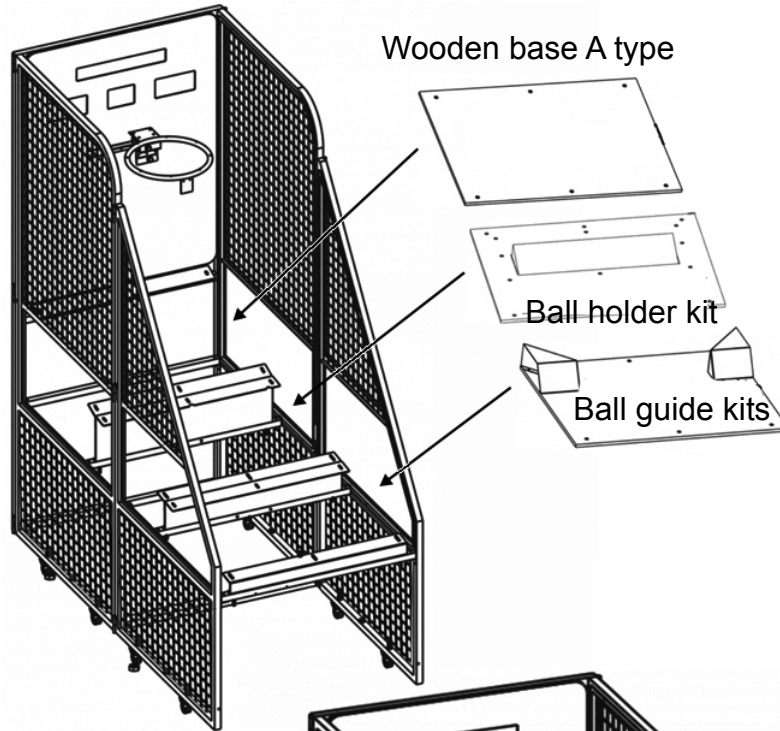


- P.34 NO. **11** screw (M6×26)×2
- P.35 NO. **20** nut (M6)×2



Step 6 :

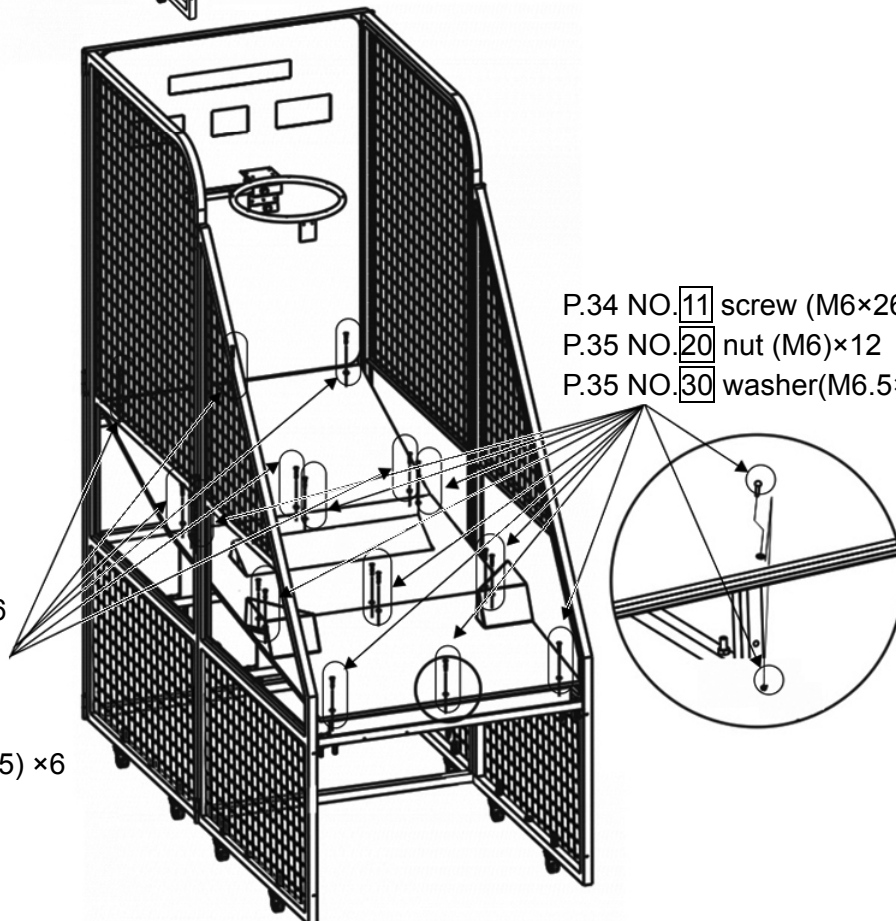
Screw the **【5A Wooden base A type, 5B Ball holder kit, 5C Ball guide kits】** step by step as drawing.



Assembly parts

- 5A Wooden base A type
- 5B Ball holder kit
- 5C Ball guide kits

- P.34 NO. **10** screw (M6×26) ×6
- P.35 NO. **20** nut(M6) ×6
- P.35 NO. **30** washer(M6.5×13.5) ×6



- P.34 NO. **11** screw (M6×26)×12
- P.35 NO. **20** nut (M6)×12
- P.35 NO. **30** washer(M6.5×13.5) ×12

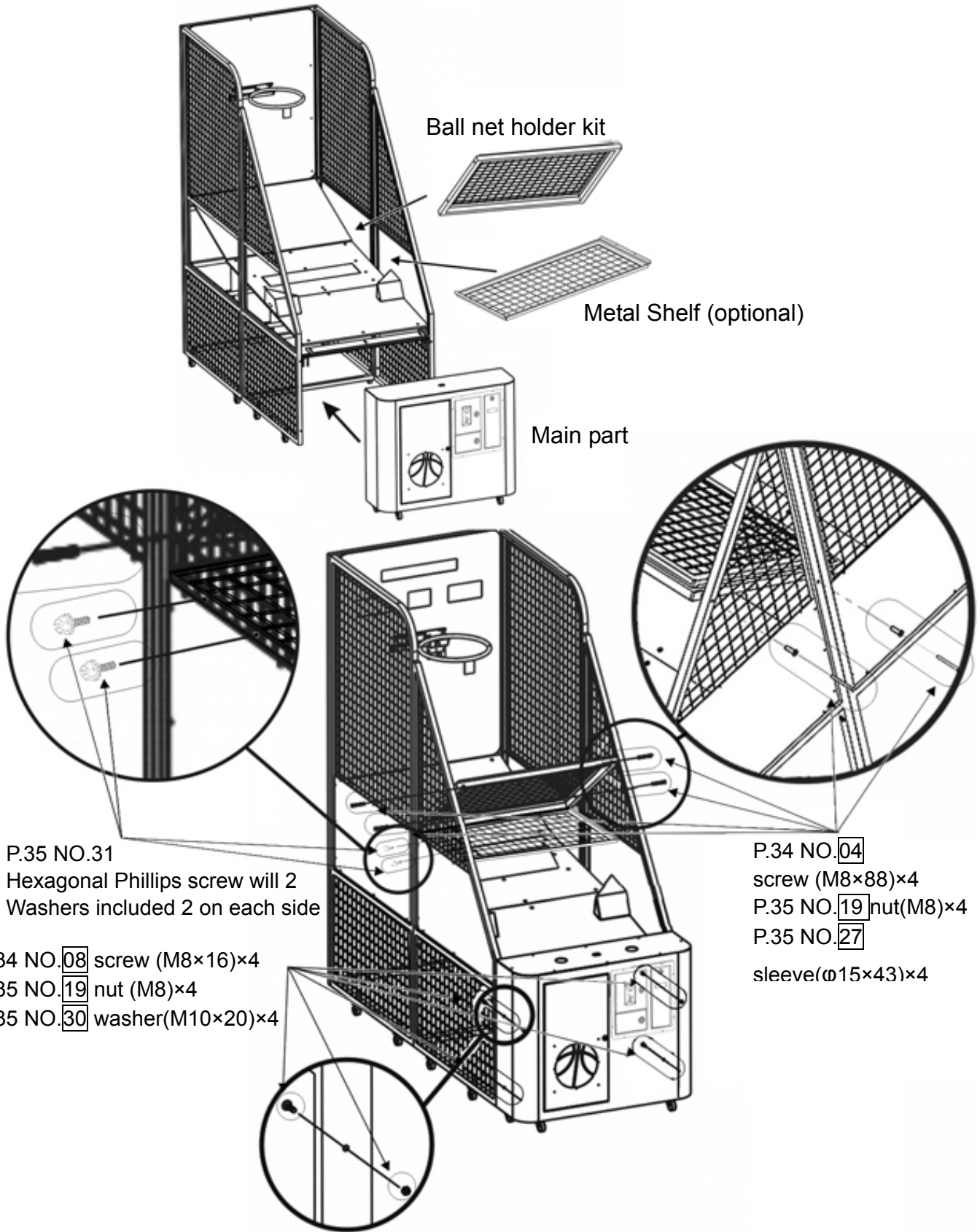


Step 7 :

1. Screw **【6A Ball net holder kit】** .
2. Screw **【6B Main part】** 、 **【Metal Shelf (optional)】** .

Assembly parts :

6A Ball net holder kit
6B Main part
Metal Shelf (optional)

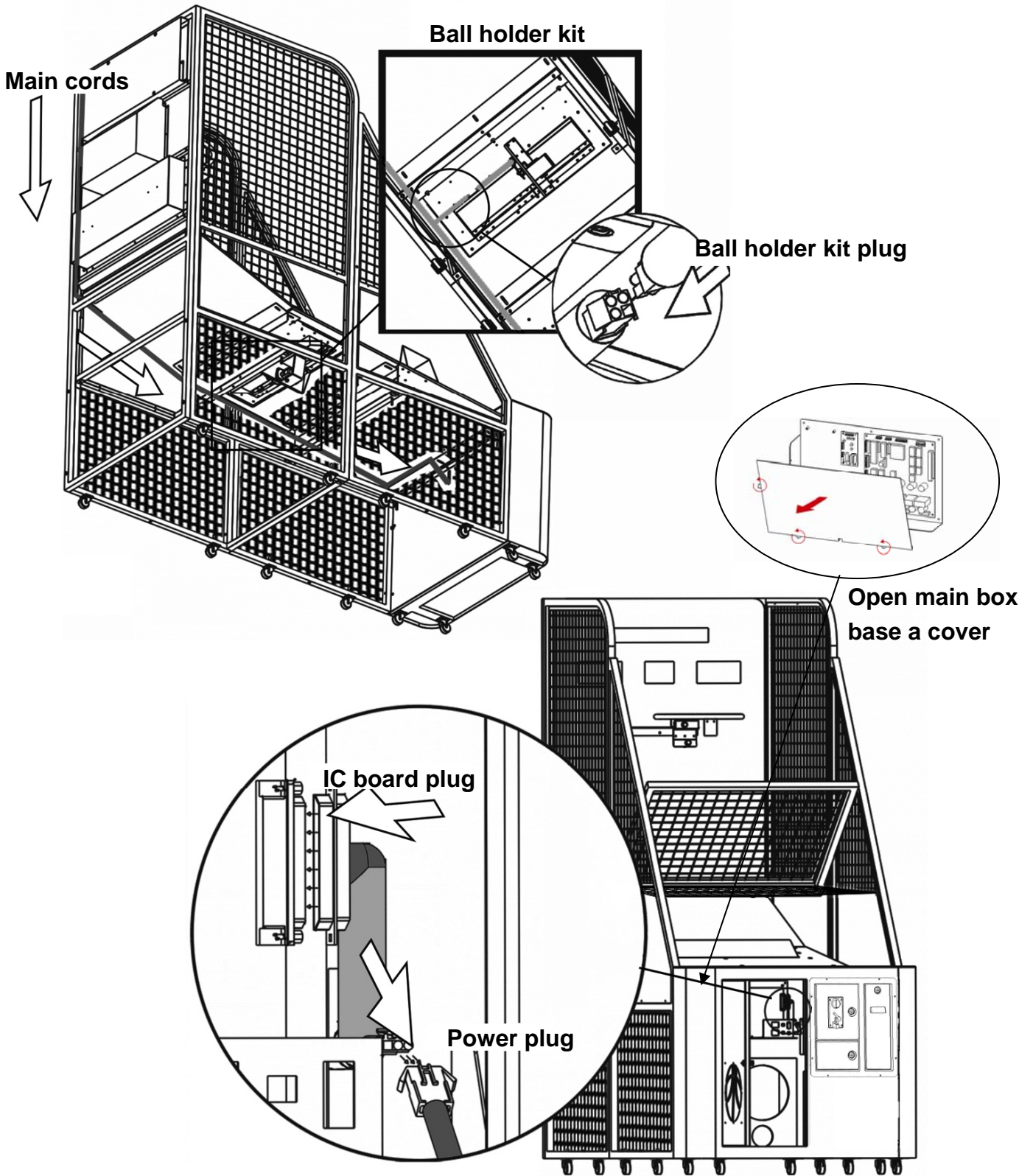


Step 8 :

1. Fix the 3 main cords as the following drawing.
2. Run the IC board plug and the ball holder kit plug located underneath the front



of the ball net holder, through the hole in back of the main part.
 3. Now connect plugs as shown in drawing.



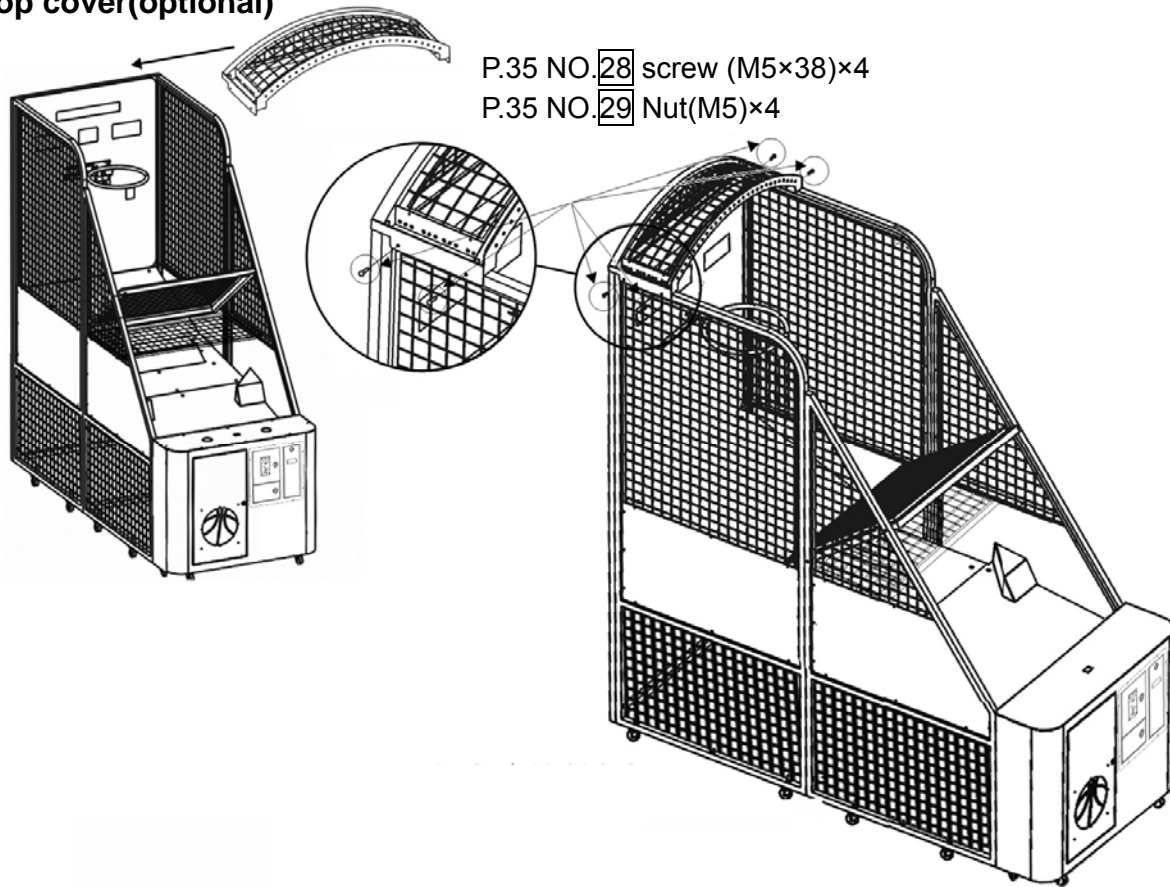
Step 9 :

Screw **【Top cover(optional)】** step by step as drawing.

Assembly parts
 Top cover(optional)

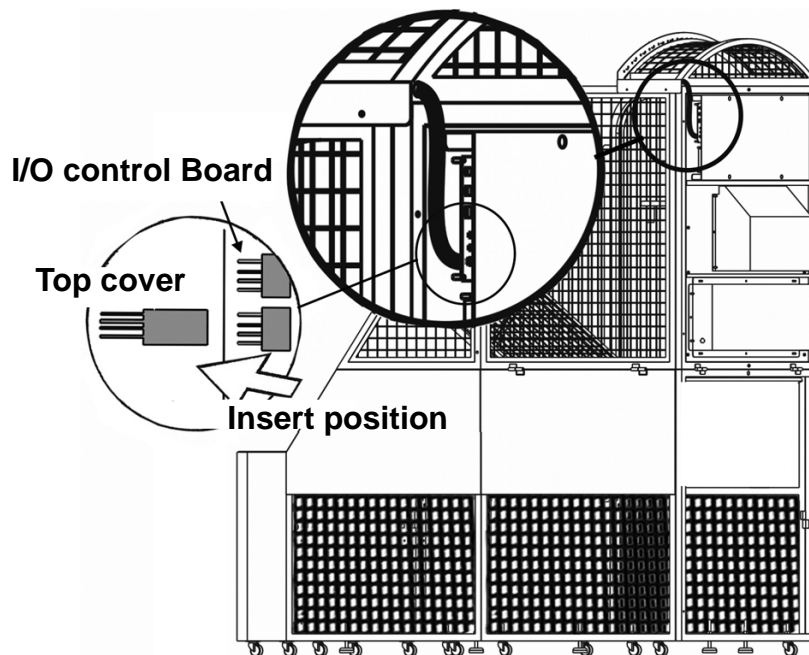


Top cover(optional)



Step 10 :

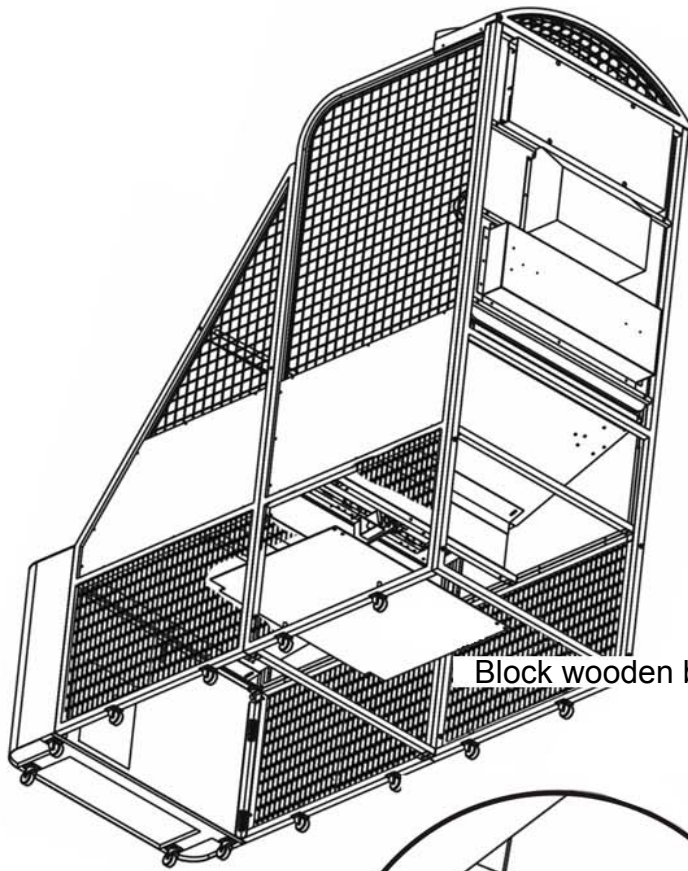
- 1.connect the I/O control board with Top cover.
- 2.Now connect plugs as shown in drawing.



Step 11 :



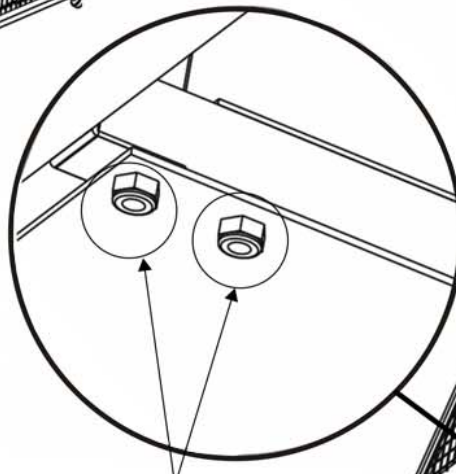
Use screws fixed it then complete the assembly street basketball.



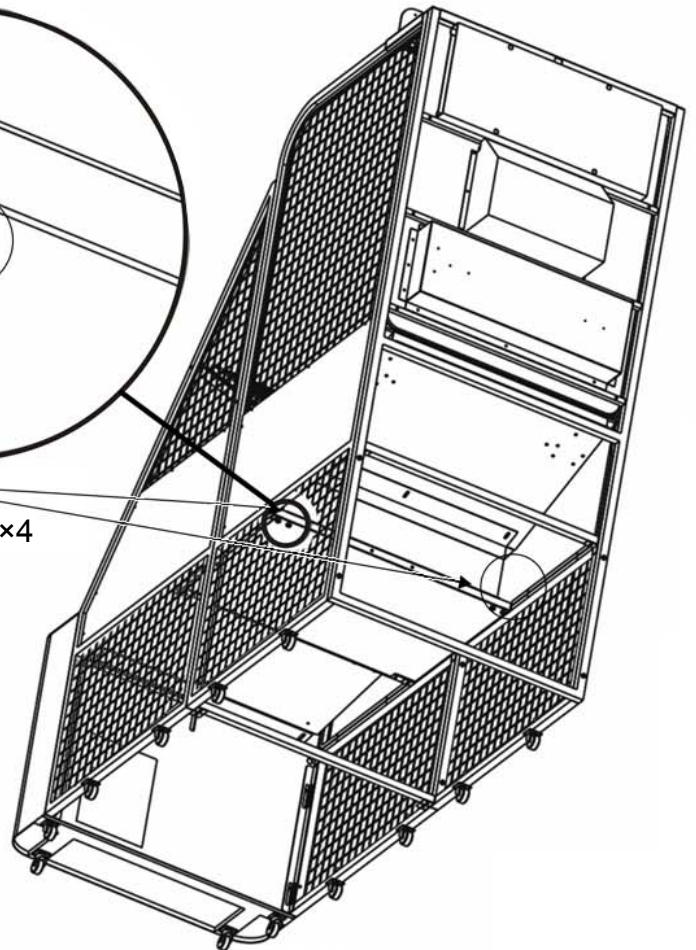
Assembly parts

6C Block wooden board
for motor

Block wooden board for motor



P.35 NO.20 nut(M6)×4

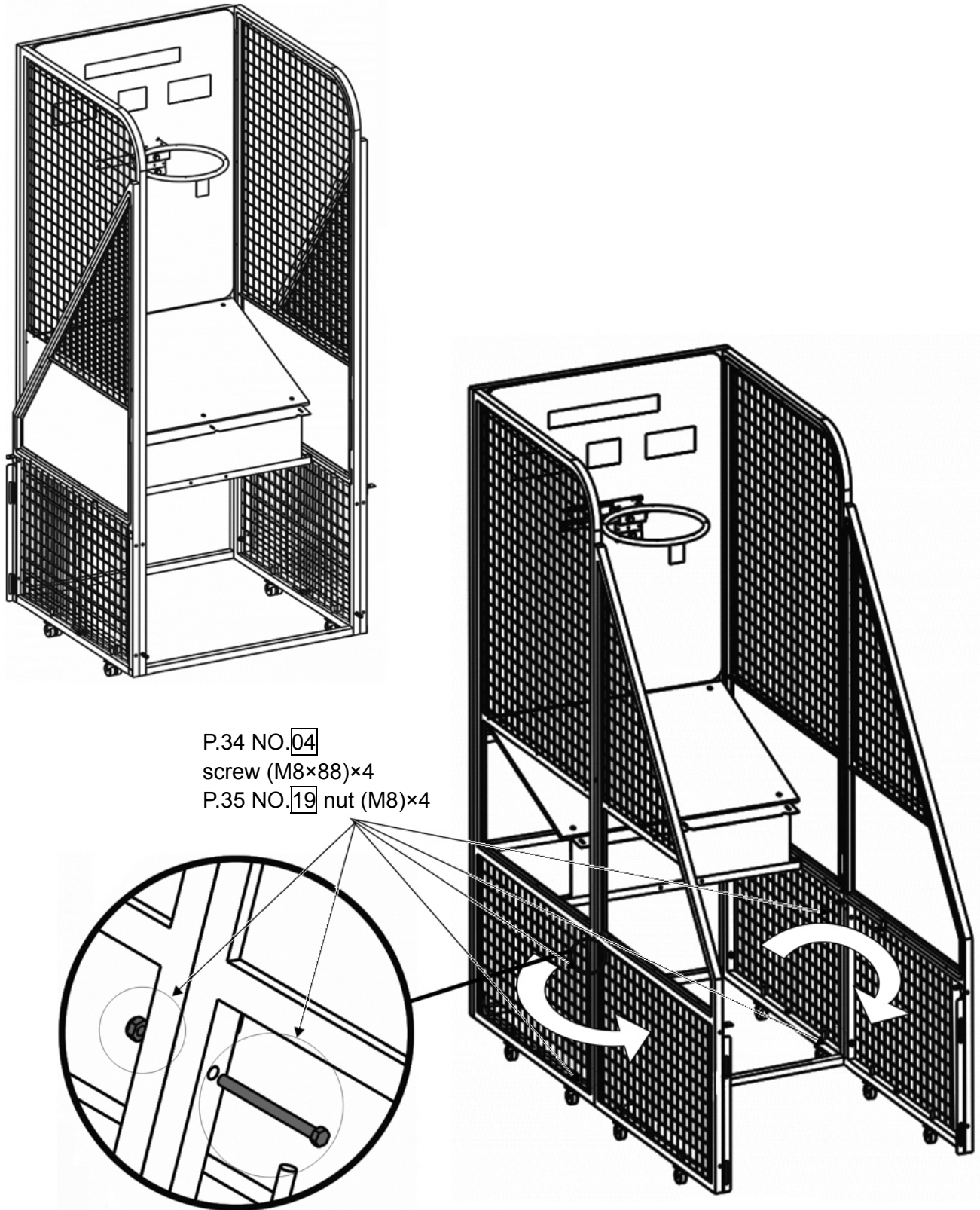




2. Assembly and disassembly for Half-Assembly type

Step 1 :

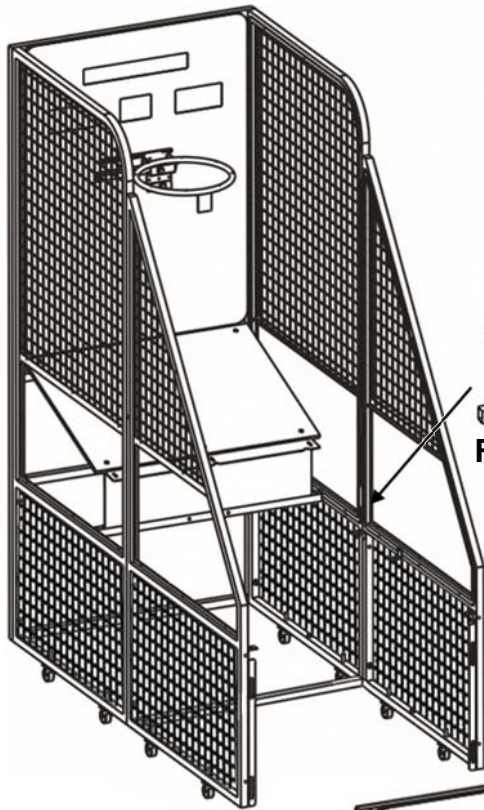
Turn the left and right frame 180° to the position as drawing picture . connect with screw & fixed it as drawing.



P.34 NO. 04
screw (M8x88)x4
P.35 NO. 19 nut (M8)x4

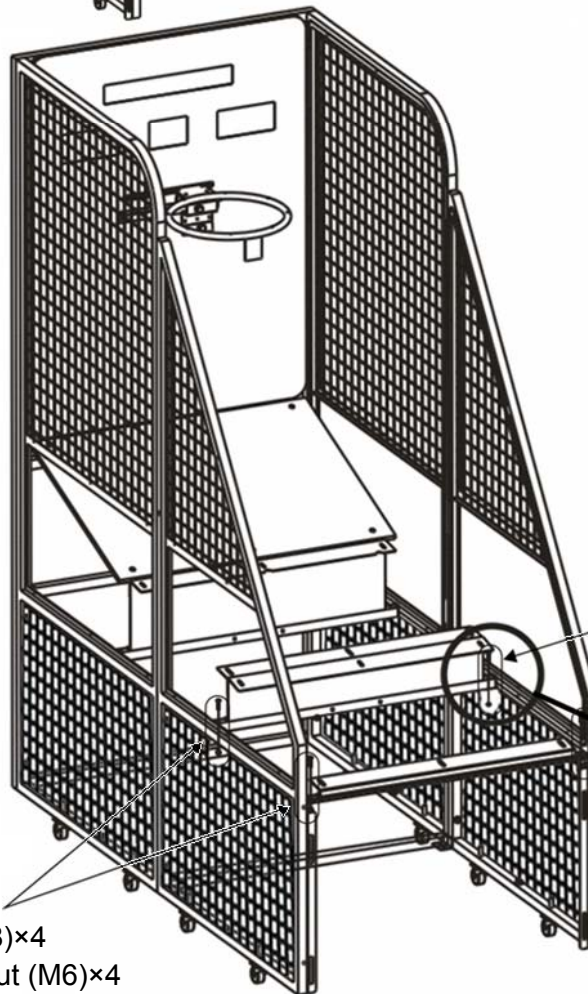
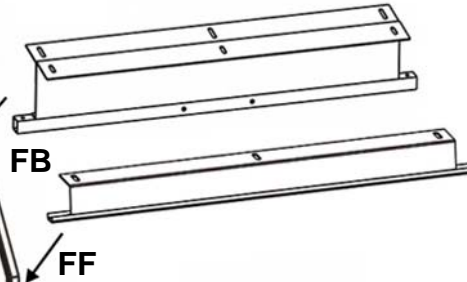
Step 2 :

Screw the base frame FB and base frame FF as drawing picture.



Assembly parts

- 4B Base holder FB
- 4C Base holder FF

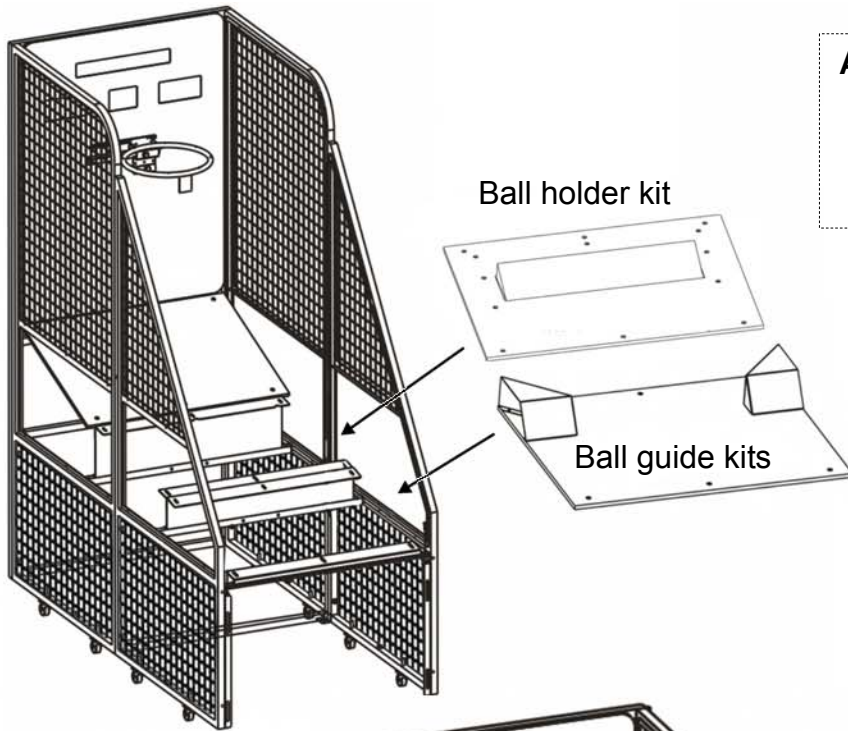


P.34 NO. 11
screw (M6×26)×2
P.35 NO. 20 nut (M6)×2

P.34 NO. 10
screw (M6×48)×4
P.35 NO. 20 nut (M6)×4

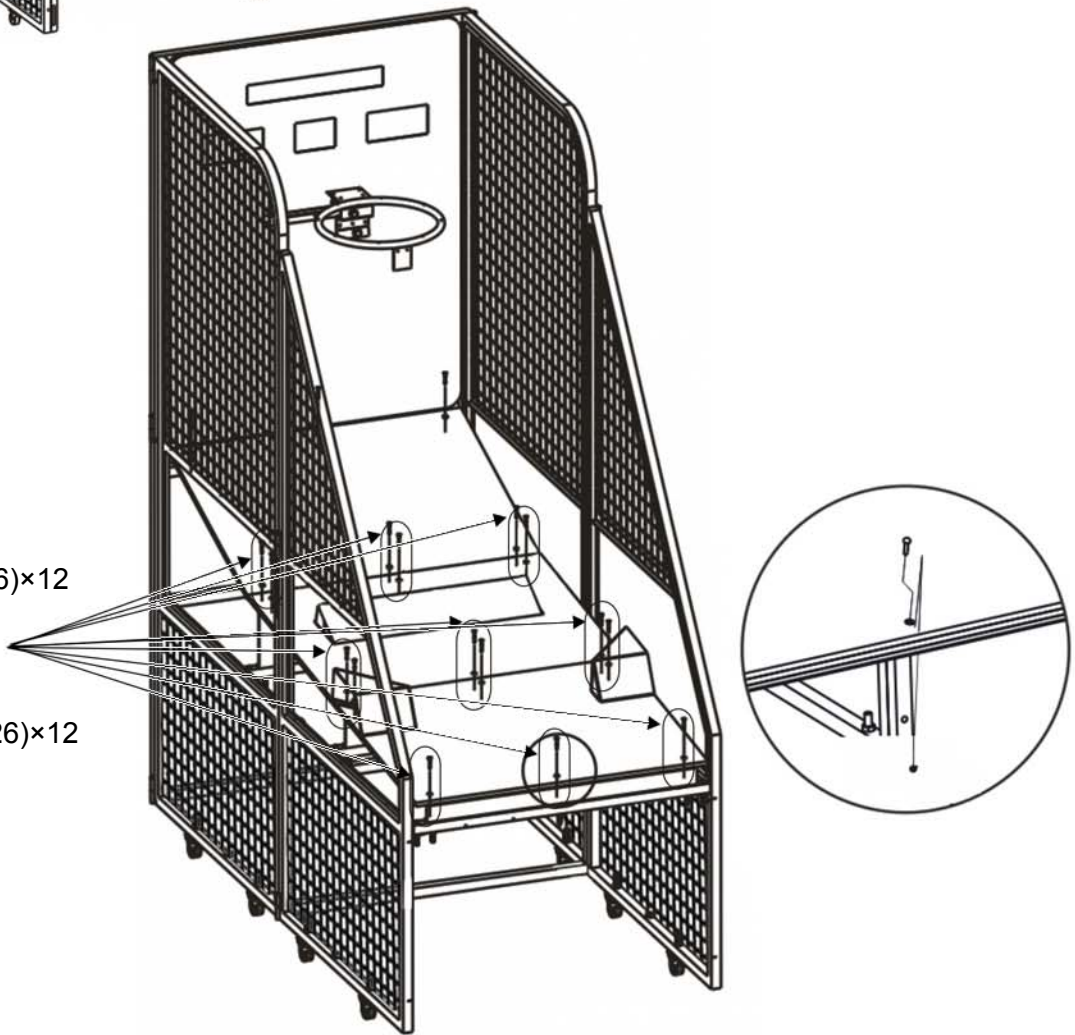
Step 3 :

Screw the 5B Ball holder kit and 5C Ball guide kits as drawing picture.



- Assembly parts**
- 5B Ball holder kit
 - 5C Ball guide kits

- P.34 NO. 11 screw (M6×26)×12
- P.35 NO. 20 nut (M6)×12
- P.35 NO. 30 washer (M6×26)×12



Step 4 :

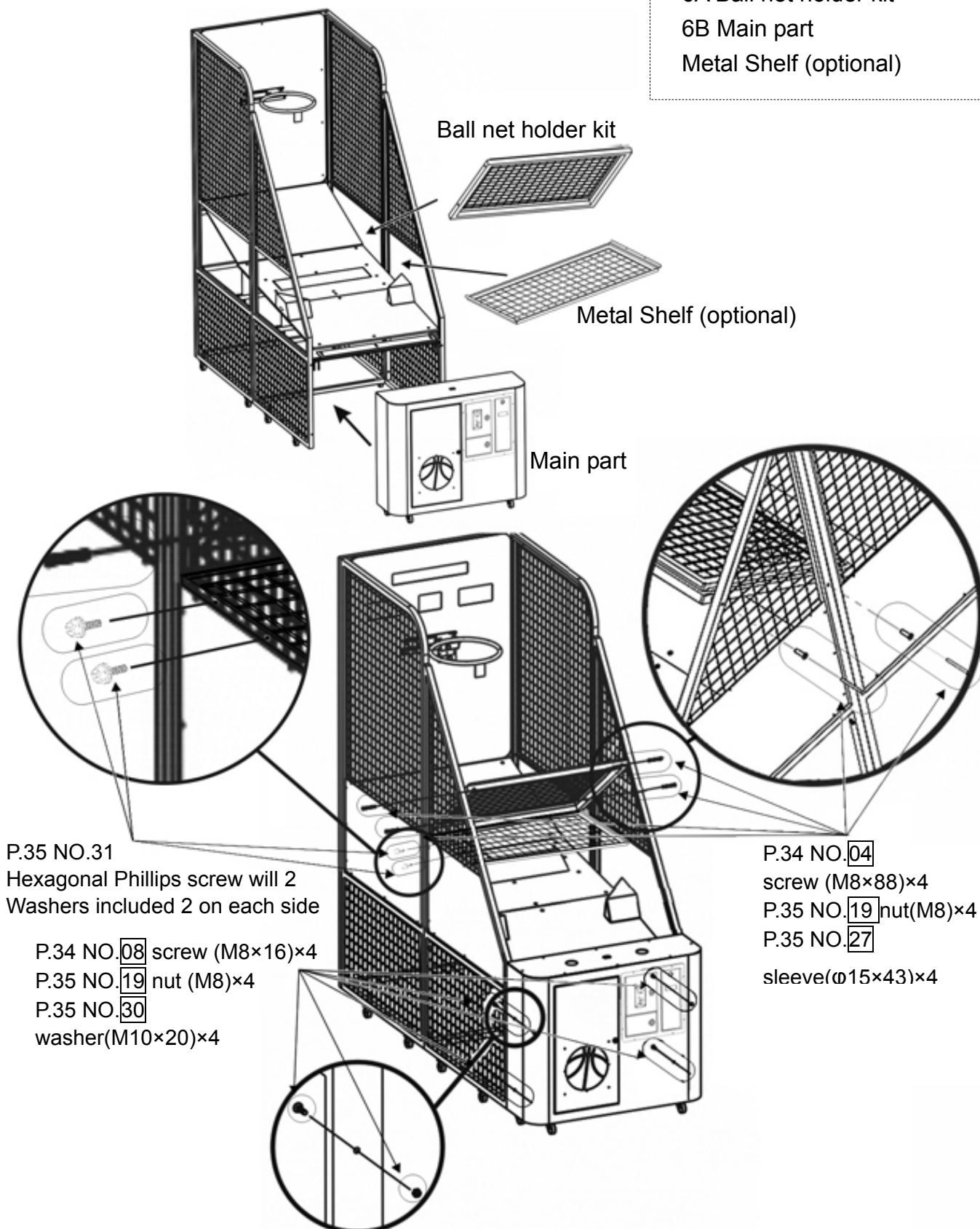


1. Screw 【6A Ball net holder kit】 .

2. Screw 【6B Main part】 、 【Metal Shelf (optional)】 .

Assembly parts :

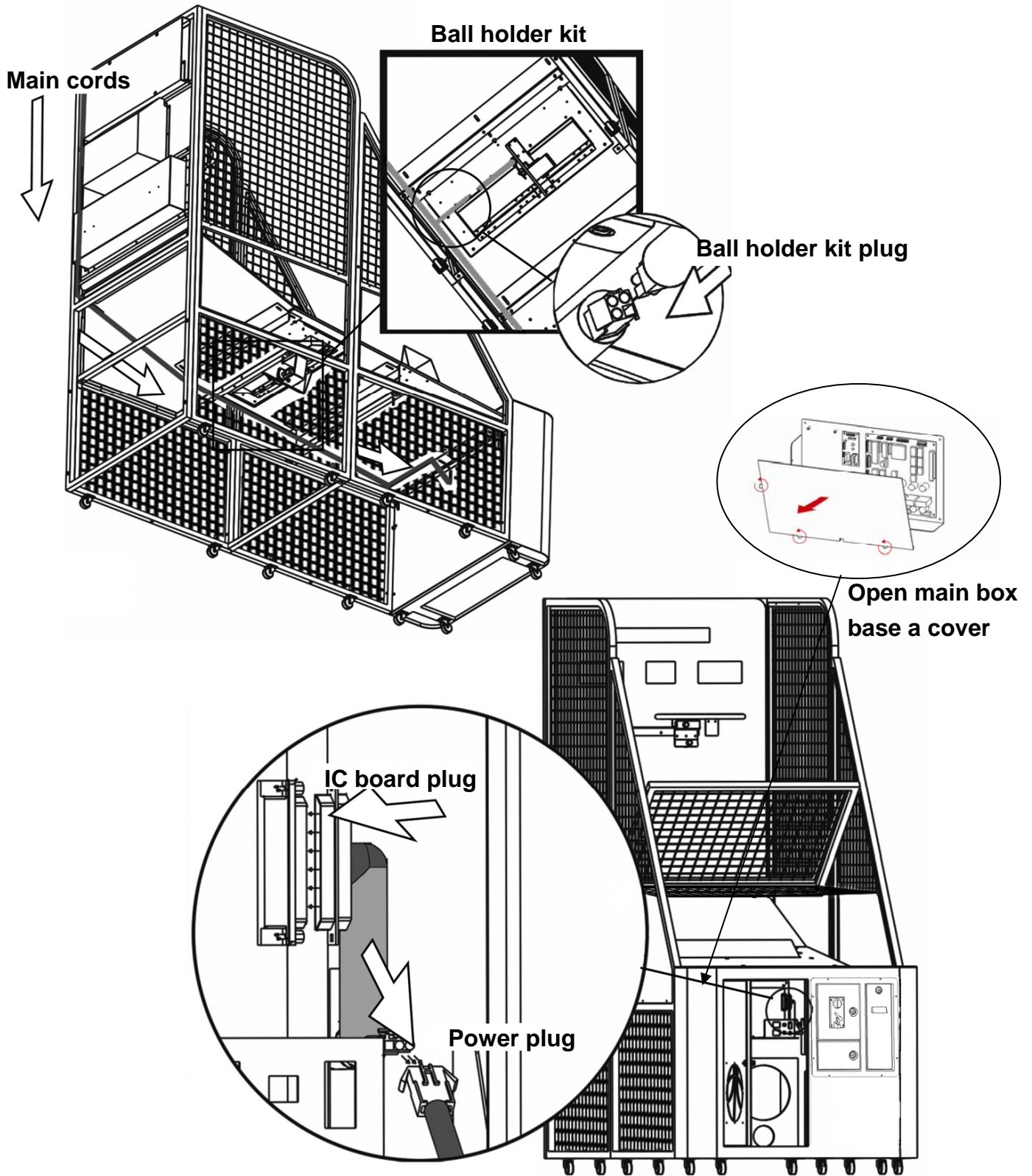
- 6A Ball net holder kit
- 6B Main part
- Metal Shelf (optional)





Step 5 :

1. Fix the 3 main cords as the following drawing.
2. Run the IC board plug and the ball holder kit plug located underneath the front of the ball net holder, through the hole in back of the main part.
3. Now connect plugs as shown in drawing.

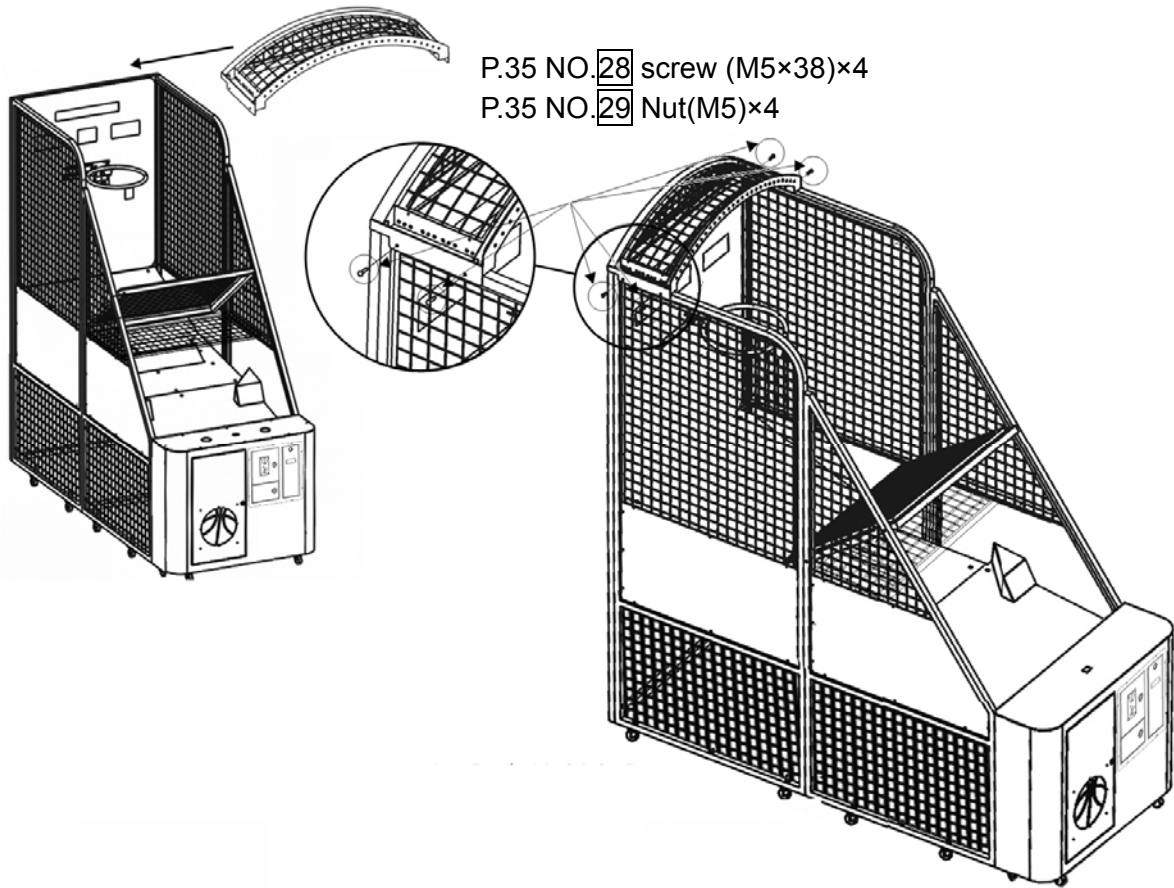


Step 6 :

Screw **【Top cover(optional)】** step by step as drawing.

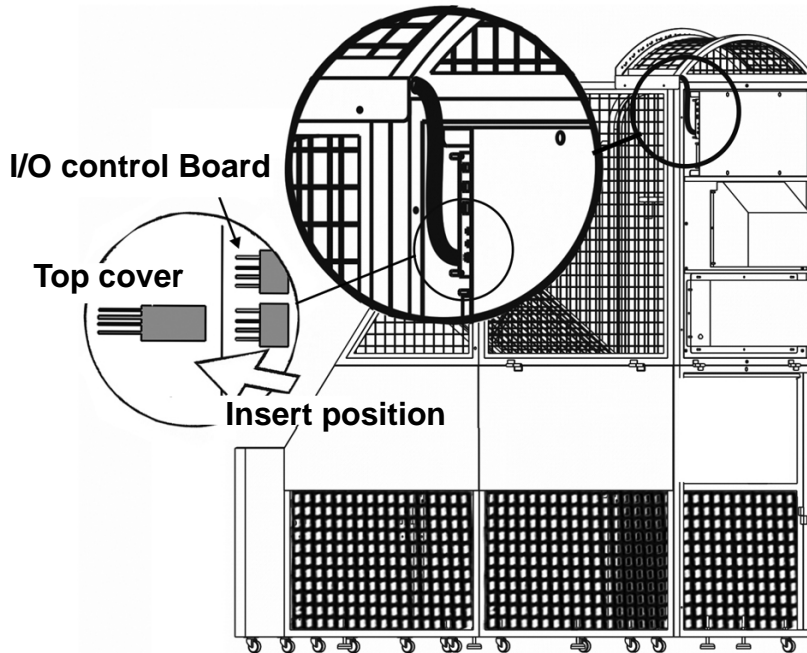
Assembly parts
Top cover(optional)

Top cover(optional)



Step 7 :

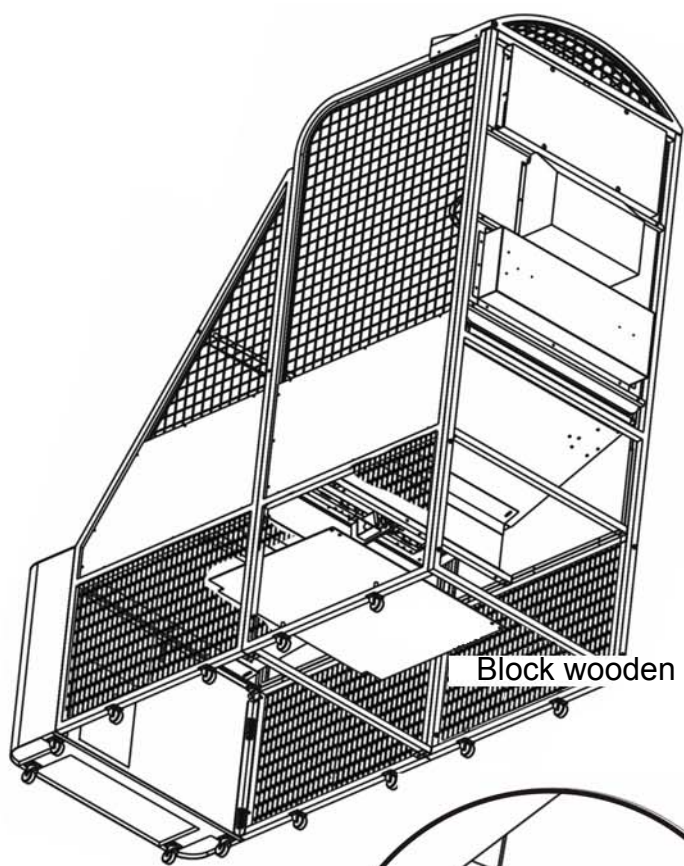
1. connect the I/O control board with Top cover.
2. Now connect plugs as shown in drawing.



Step 8 :

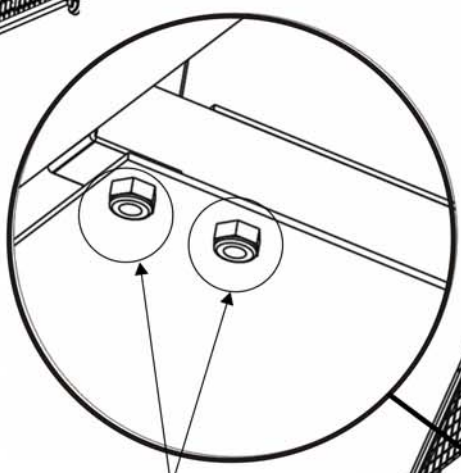


Use screws fixed it then complete the assembly street basketball.

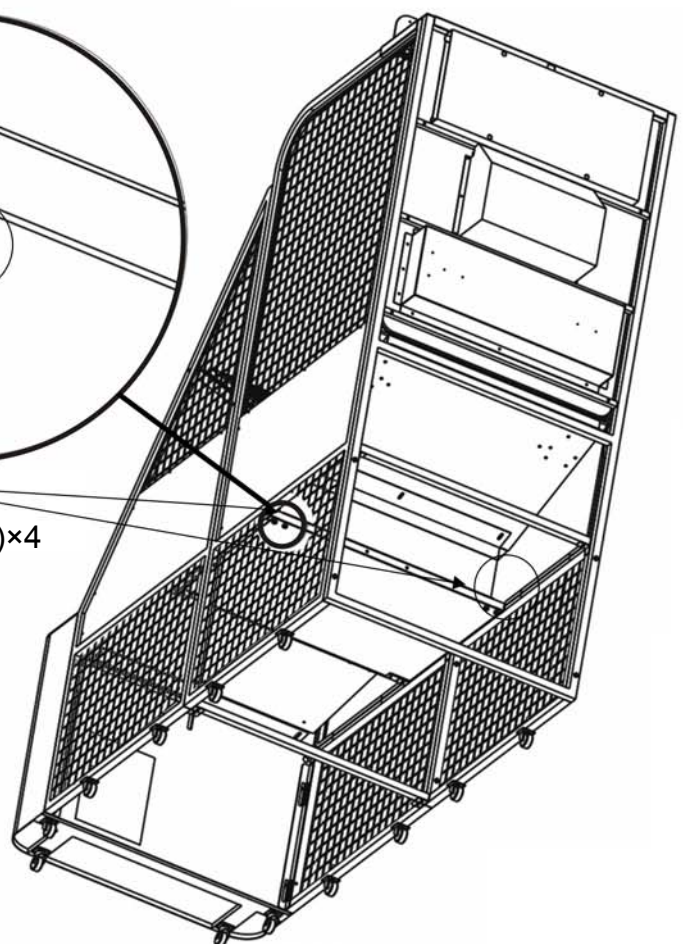


Assembly parts
6C Block wooden board
for motor

Block wooden board for motor

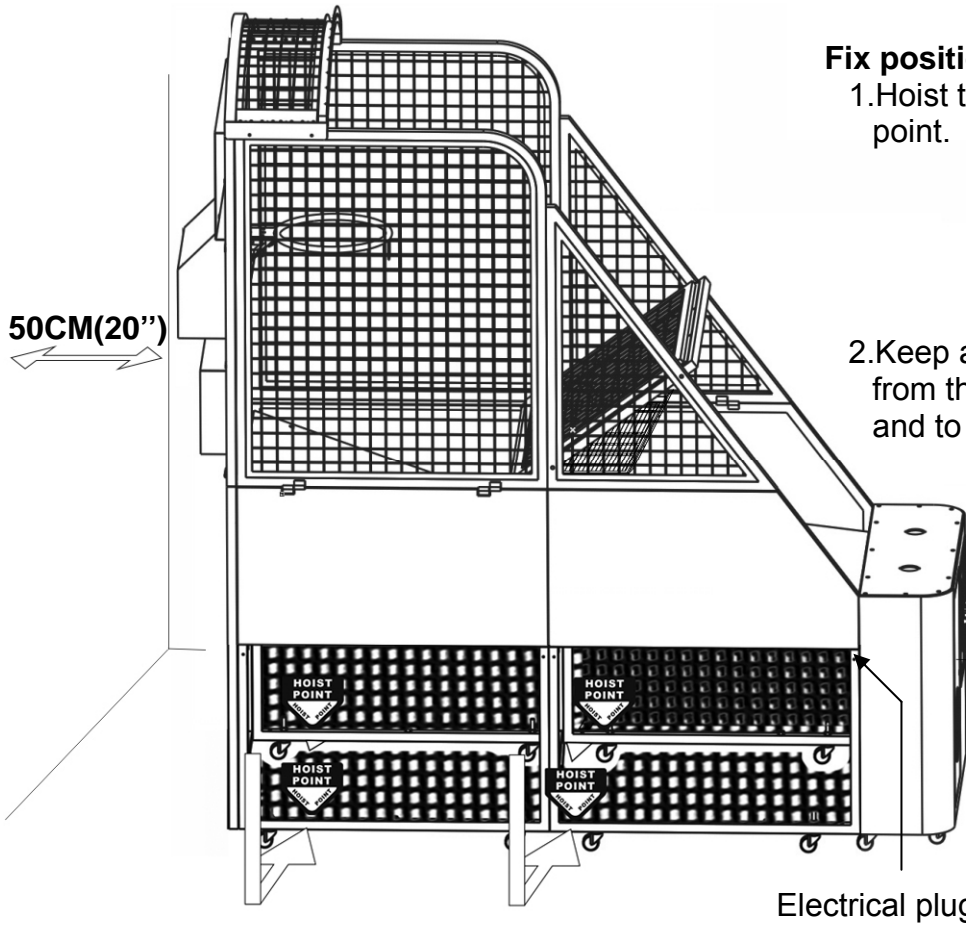


P.35 NO.20 nut(M6)×4





3. 【SET-UP Position & maintenance】



Fix position after assembly

1. Hoist the machine from the hoist point.




2. Keep at least 50cm(20") space from the back for maintenance and to avoid over heating.

ATTENTION

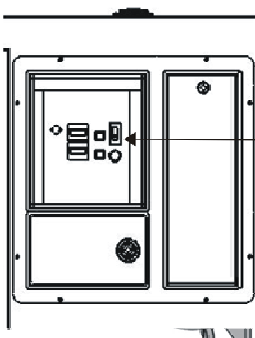
Attention:

- The power must be turned off before any movements.
- Check the power rate before use AC110V~120V/AC220V~240V, Check Electrical plug display as a glide.



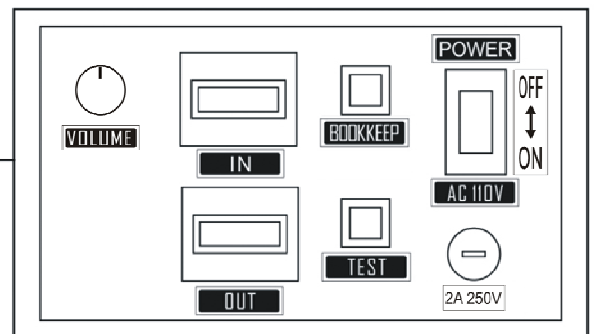
V. Adjustment and Inspection

You can find the bookkeep system by opening the main part door.



IC board includes power, fuse, Bookkeep and test functions

Please see 【1 Link adjustment】 for IC board function.





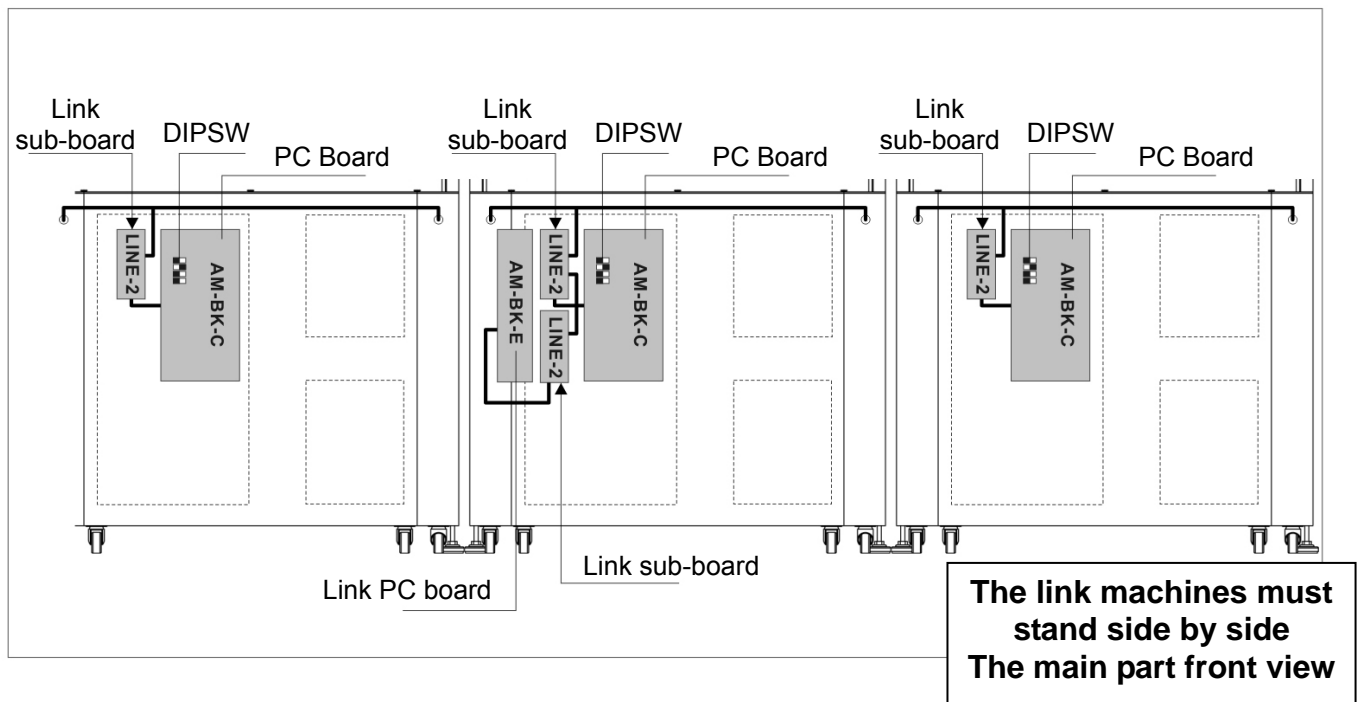
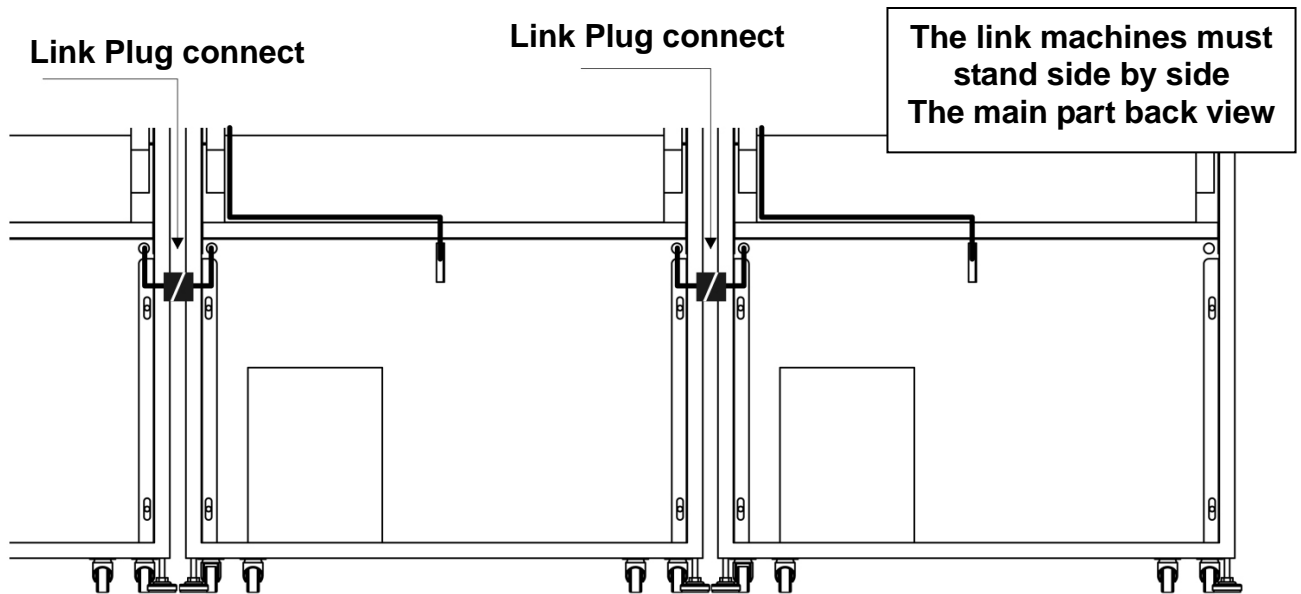
1.Link adjustment

【Cable link SET-UP】

The link set-up must follow DIP-SW-SEP-UP N0.1~15 machines.

Intermittent allowed, but repeat.

- A . Link up to 15 machines
- B . Only one main frame is needed.
- C . Any game could be used as the main frame.

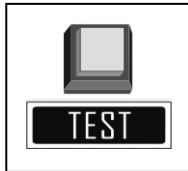


P.S. If two link machines-2 PCB are connected, the main control one DIP-SW must be set as OFF OFF OFF ON.



【Link main board adjustment】

Multi-function button :

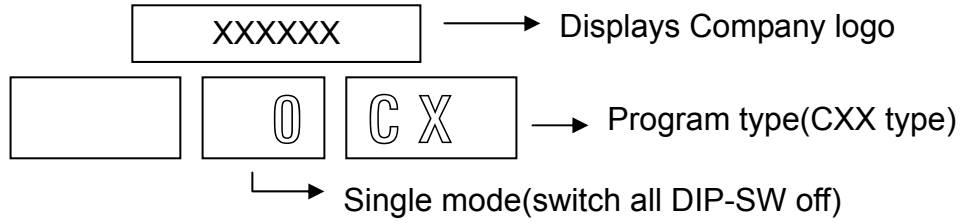


1. Press and turn on the power, for 「TEST」 function.
2. In Standby mold is 「SERVICE」 function, Press once means one coin, but No record.
3. In bookkeep mold is 「RESET」 function.
4. In ticket dispenser error mode, press is 「Key out」 function.

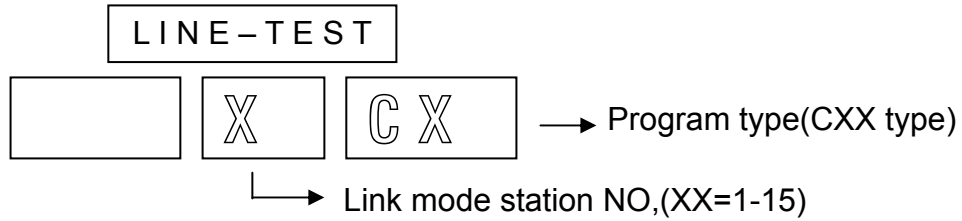
Link DIP-SW adjustment :

SW4	SW3	SW2	SW1	
OFF	OFF	OFF	OFF	Single mode
OFF	OFF	OFF	ON	link 1 Unit
OFF	OFF	ON	OFF	link 2 Unit
OFF	OFF	ON	ON	link 3 Unit
OFF	ON	OFF	OFF	link 4 Unit
OFF	ON	OFF	ON	link 5 Unit
OFF	ON	ON	OFF	link 6 Unit
OFF	ON	ON	ON	link 7 Unit
ON	OFF	OFF	OFF	link 8 Unit
ON	OFF	OFF	ON	link 9 Unit
ON	OFF	ON	OFF	link 10 Unit
ON	OFF	ON	ON	link 11 Unit
ON	ON	OFF	OFF	link 12 Unit
ON	ON	OFF	ON	link 13 Unit
ON	ON	ON	OFF	link 14 Unit
ON	ON	ON	ON	link 15 Unit

Single mode starting display :




Link mode starting display :




ATTENTION!

When you turn on the main control machine, the other machines will link as set situation.

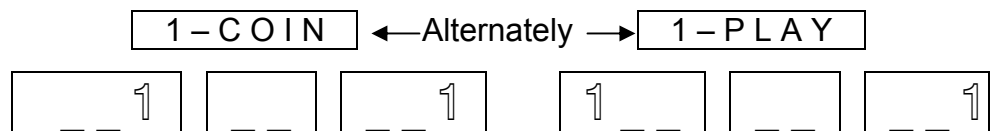


2.Adjustment

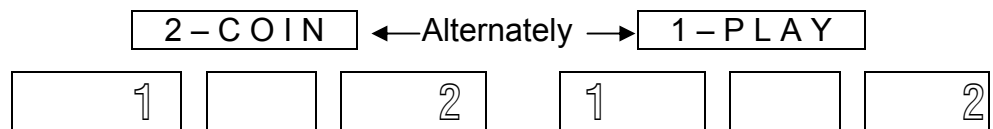
LINE-TEST after done the test can enter the set up.

Press  **BOOKKEEP** and turn on the power, release the key after you hear the sound.

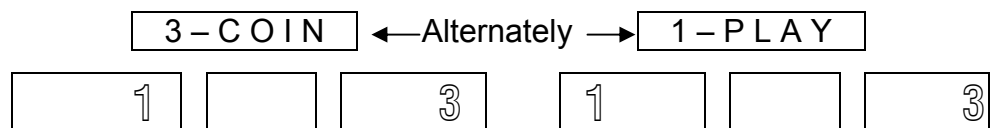
【SET-UP 1】 SET-UP the coin entry price for each game



Press  **TEST** then release



Press  **TEST** then release



Press  **TEST** then release



4 - COIN ← Alternately → 1 - PLAY

1 4 1 4

Press for then release to enter SET-UP 2

【SET-UP 2】 Additional tickets

MIN - OUT

2 0

0 ticket dispensed after every game is ended

Press then release

2 1

Each time game over Release 1 additional tickets

Press then release

2 2

Each time game over Release 2 additional tickets

Press then release

2 3

Each time game over Release 3 additional tickets

Press for 1 second then release to enter SET-UP 3

【SET-UP 3】 Multiple of tickets

TICKET

3 00

No ticket, game play only SET-UP 2 is ineffective.

Press then release

3 10

10 points : 1 ticket

Press then release

3 20

20 points : 1 ticket

Press then release

3 30

30 points : 1 ticket

Press then release

3 40

40 points : 1 ticket

Press then release



3		50
---	--	----

50 points : 1 ticket

Press TEST then release

3		60
---	--	----

60 points : 1 ticket

Press TEST then release

3		70
---	--	----

70 points : 1 ticket

Press TEST then release

3		80
---	--	----

80 points : 1 ticket

Press TEST then release

3		90
---	--	----

90 points : 1 ticket

Press TEST then release

3		100
---	--	-----

100 points : 1 ticket

The explanation :

If the operator sets the game for 3___10 and the game is giving out tickets the player will receive 1 ticket for every 10 points scored . If the operator sets the game for 3___20 the player will get 1 ticket for every 20 points scored and so on. For additional (0-3) tickets enter SET-UP 2

Press BOOKKEEP for 1 second then release to enter SET-UP 4

【SET-UP 4】 Game Time SET-UP

GAME - TIME

4		50
---	--	----

Stage 1 : 50 seconds

Stage 2 : 40 seconds

Stage 3 : 30 seconds

4		55
---	--	----

Stage 1 : 55 seconds

Stage 2 : 45 seconds

Stage 3 : 35 seconds


4		60
---	--	----

Stage 1 : 60 seconds

Stage 2 : 50 seconds


Stage 3 : 40 seconds




Press  for 1 second then release to enter SET-UP 5

【SET-UP 5】 Basket motor AUTO test


STE-MOT-1


Press  then release-Start basketball motor AUTO test
(Warning alarm will start after 5 seconds, if there is an error)

Press  for 1 second then release to enter SET-UP 6

【SET-UP 6】 Ball holder motor AUTO test

STE-MOT-2

Press  then release-Start ball holder motor AUTO test
(Warning alarm will start after 5 seconds, if there is an error)

Press  for 1 second then release to enter SET-UP 7

【SET-UP 7】 Reset the top score 250 or keep the record

→ Displays Company logo

Reset the top score to 250

Press  then release

→ Displays Company logo

Keep the record

Press  then release to enter SET-UP 8

【SET-UP 8】 SET-UP DEMO music (ON or OFF)

→ Displays Company logo



DEMO music OFF

Press then release

→ Displays Company logo

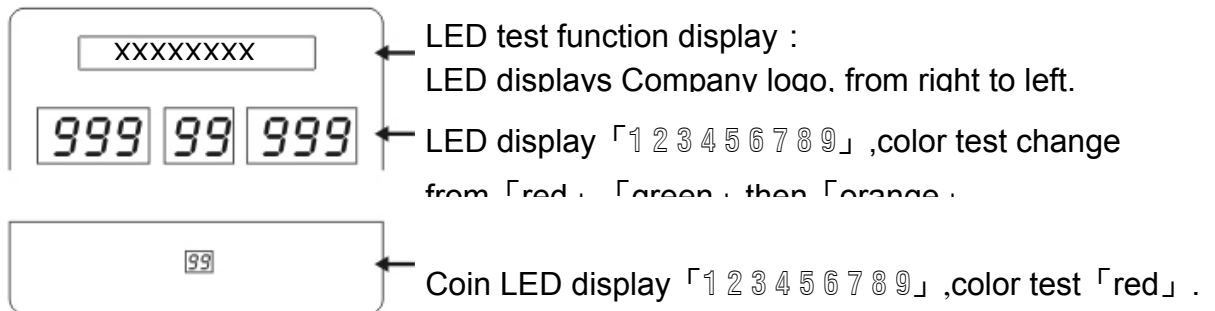
DEMO music ON

Restart the Machine to complete the SET-UP adjustment.

3.LED Monitor inspection

Testing :

1. Press and turn on the power in the same time to enter LED testing mode. Release the test button until is displayed "1" on the LED.
2. Check if the LED is displayed correctly.
3. When testing is finished you will enter into the standby function.

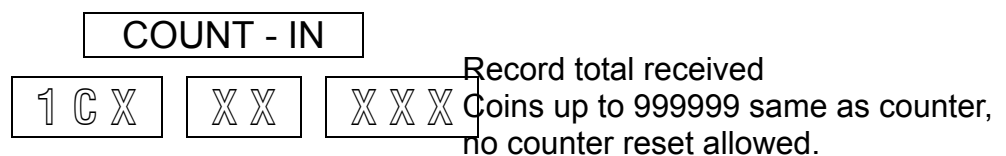


4. After AUTO test is finished, it will enter into standby function.

4.Bookkeep

Press enter into bookkeep system in standby function only.

Press then release, enter into **【bookkeep 1】**



Press then release, enter into **【bookkeep 2】**




COUNT - OUT

2 C X

X X

X X X

Record total received
Coins up to 999999 same as counter,
no counter reset allowed.

Press  then release, enter into **【bookkeep 3】**

SHIFT - IN

3 C X

X X

X X X

Record total received
Coins up to 999999,
counter reset is allowed.

Press  then release, enter into **【bookkeep 4】**


SHIFT - OUT

3 C X

X X

X X X


Record total dispensed tickets
up to 999999,
counter reset is allowed.


Press  then release, return back to bookkeep function **【The end】**

XXXXXX

→ Displays Company logo

5 5

Press  then release, enter into standby function.

Press  then release, return back to **【bookkeep 3】** function. And reset the **【bookkeep 3】** and **【bookkeep 4】** .

5.Error code

Every time machine is turned on it will do the AUTO test for 7 function points, Before entering into standby function.

The Error specification as below,


【Error 1】 C O I N - 1

Warning alarm action
Left coin selector is disconnected
Left coin selector didn't turn in to NC
Left coin selector error

【Error 2】 C O I N - 2

Warning alarm action
Right coin selector is disconnected
Right coin selector didn't turn in to NC
Right coin selector error



【Error 3】	SET-MOT – 1	Warning alarm action Basket motor power is disconnected Basket SENSOR-NO Basket is out of position
【Error 4】	SET-MOT – 2	Warning alarm action Ball holder motor power is disconnected Ball holder SENSOR-NO Ball holder is out of position
【Error 5】	TICKET	Warning alarm action Ticket dispenser is disconnected Ticket dispenser adjustment error No tickets Press  TEST for clean tickets.
【Error 6】	COUNT - IN	Warning alarm action Coin counter is disconnected Coin counter error
【Error 7】	COUNT-OUT	Warning alarm action Ticket counter is disconnected Ticket counter tickets

VI.How to play

1.There are total 4 Stages

- A.Stage 1 : Proceed to Stage 2,when the total scores are over 40 in the end.
- B.Stage 2 : Proceed to Stage 3,when the total scores are over 150 in the end.
- C.Stage 3 : Proceed to Stage 4,when the total scores are over 250 in the end.
- D.Stage 4 : Final challenge, the last game will be finished when the time is terminated.



2.2 play types available


A.Single play : DIP-SW set to single play.

B.Link mode : DIP-SW set to link mode, up to 15 machines can be linked.









Press link mode, display link countdown time, any other machine can be linked together during the countdown. In link mode, up to 15 machines can be linked.

When the machine is in standby function, the SW is ineffectual.














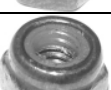
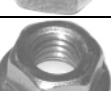
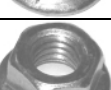
ATTENTION







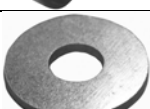
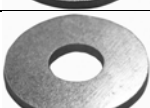
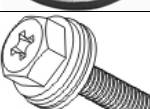

VII.Screw and Nut list

NO	picture	Specification	Total quantity	Position
1		screw(M4×12)	68	set
2		screw (M4×10)	21	set
3		screw (M3×5)	26	set
4		screw(M8×88)	12	Knock down machine Step 4.7
			8	Semi-assemble machine Step 1.4
5		screw (M5×20)	8	set
6		screw (M5×20)	8	set
7		screw (M5)	4	set
8		screw(M8×16)	4	Knock down machine Step 7
			4	Semi-assemble machine Step 4

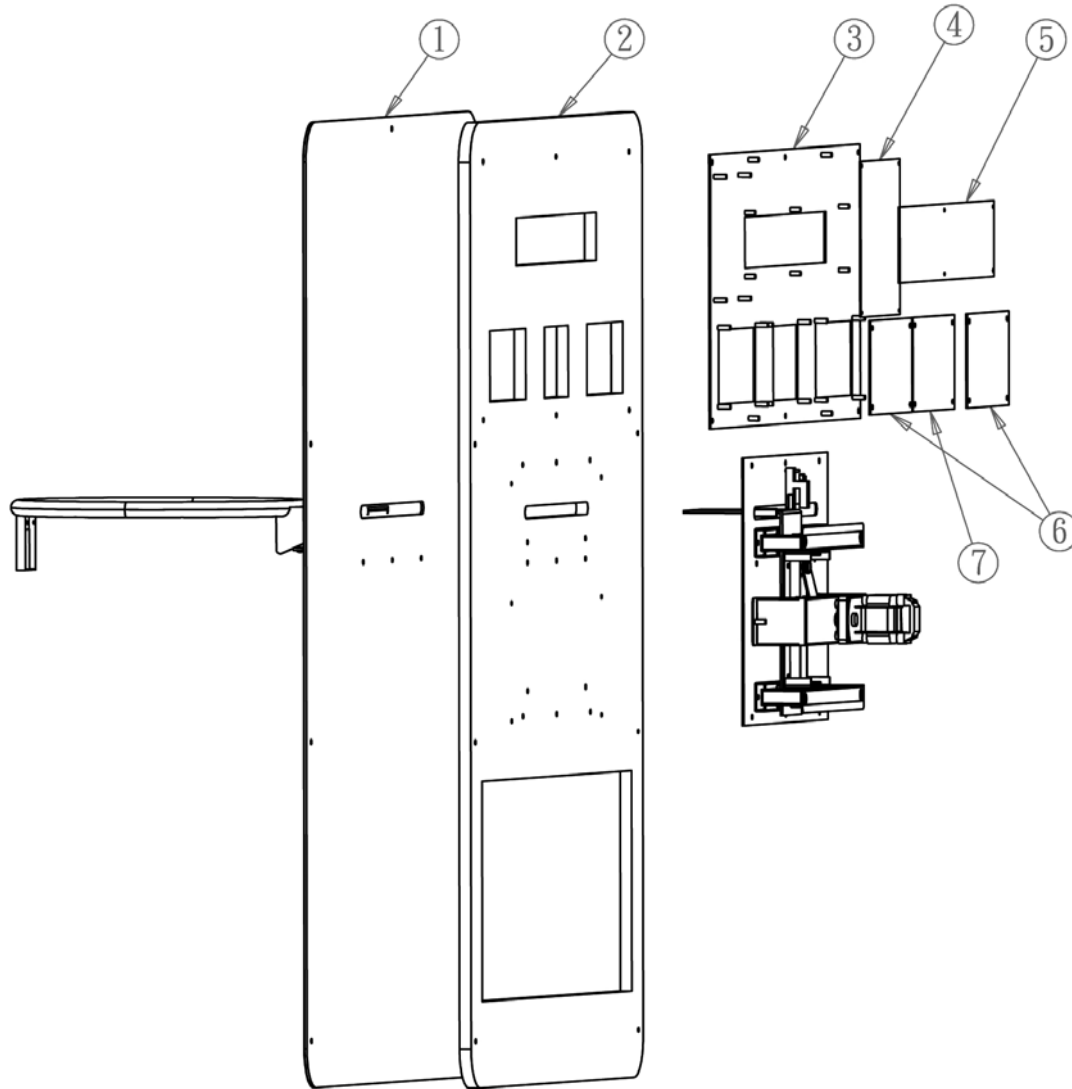


9		screw (M6×55)	1	set
10		screw (M6×48)	14	Knock down machine Step 3.5.6
			12	Semi-assemble machine Step 2
11		screw (M6×26)	20	Knock down machine Step 5.6
			14	Semi-assemble machine Step 2.3
12		screw (M6×16)	16	set
13		screw (M5×15)	4	Knock down machine Step 2
14		screw (M4×15)	4	set
15		screw (M4×12)	58	set
16		screw (M4×8)	8	set
NO	picture	Specification	Total quantity	Position
17		screw (M3×12)	2	set
18		screw (M3×10)	1	set
19		nut(M8)	16	Knock down machine Step 4.7
			12	Semi-assemble machine Step 1.4
20		nut (M6)	38	Knock down machine Step 3.5.6.11
			20	Semi-assemble machine Step 2.3.8
21		nut (M5)	4	Knock down machine Step 2
22		nut (M4)	20	set
23		nut (M6)	4	set
24		nut (M5)	8	set

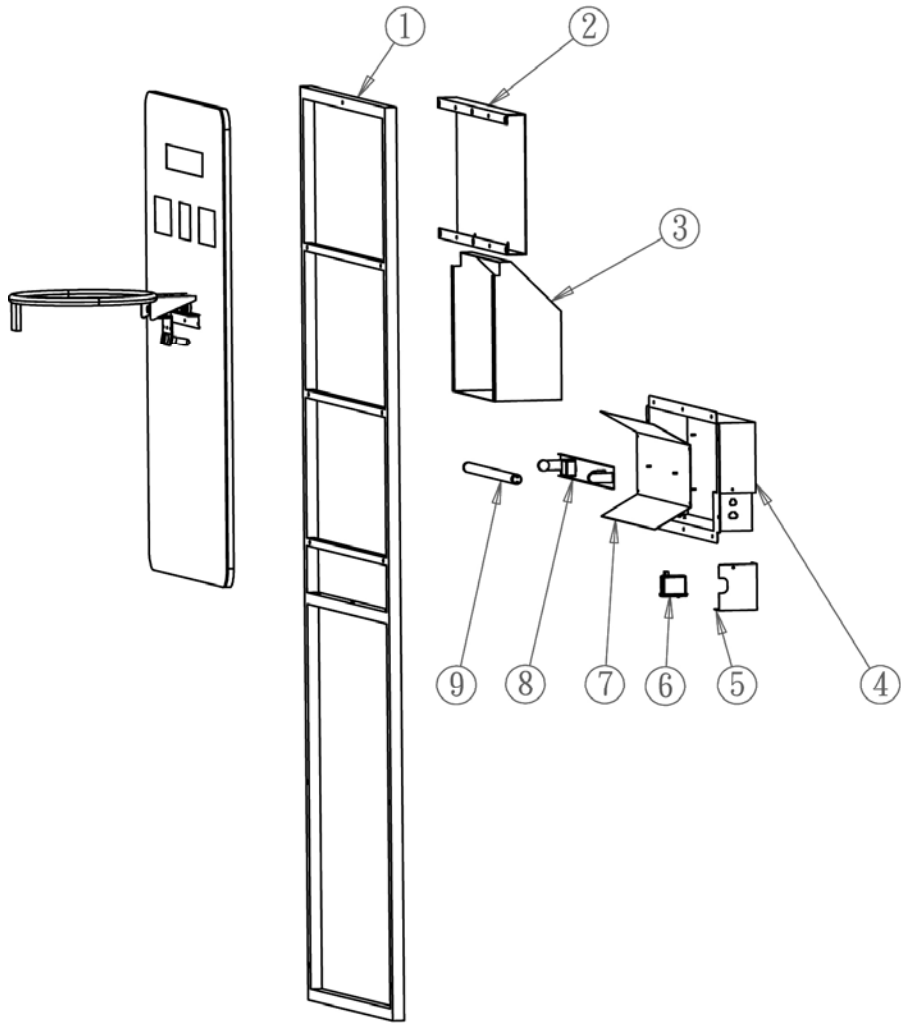


25		nut (M4)	44	set
26		nut (M3)	7	set
27		sleeve ($\phi 15 \times 43$)	4	Knock down machine Step 7 Semi-assemble machine Step 4
28		screw (M5 \times 38)	4	Knock down machine Step 9 Semi-assemble machine Step 6
29		washer(M4 \times 12)	4	Knock down machine Step 9 Semi-assemble machine Step 6
30		washer (M6.5 \times 13.5)	24	Knock down machine Step 6.7
			12	Semi-assemble machine Step 3.4
31		Hexagonal Phillips screw will 2 Washers	4	Knock down machine Step 7 Semi-assemble machine Step 4
32		screw (M4 \times 10)	48	Knock down machine Step 1

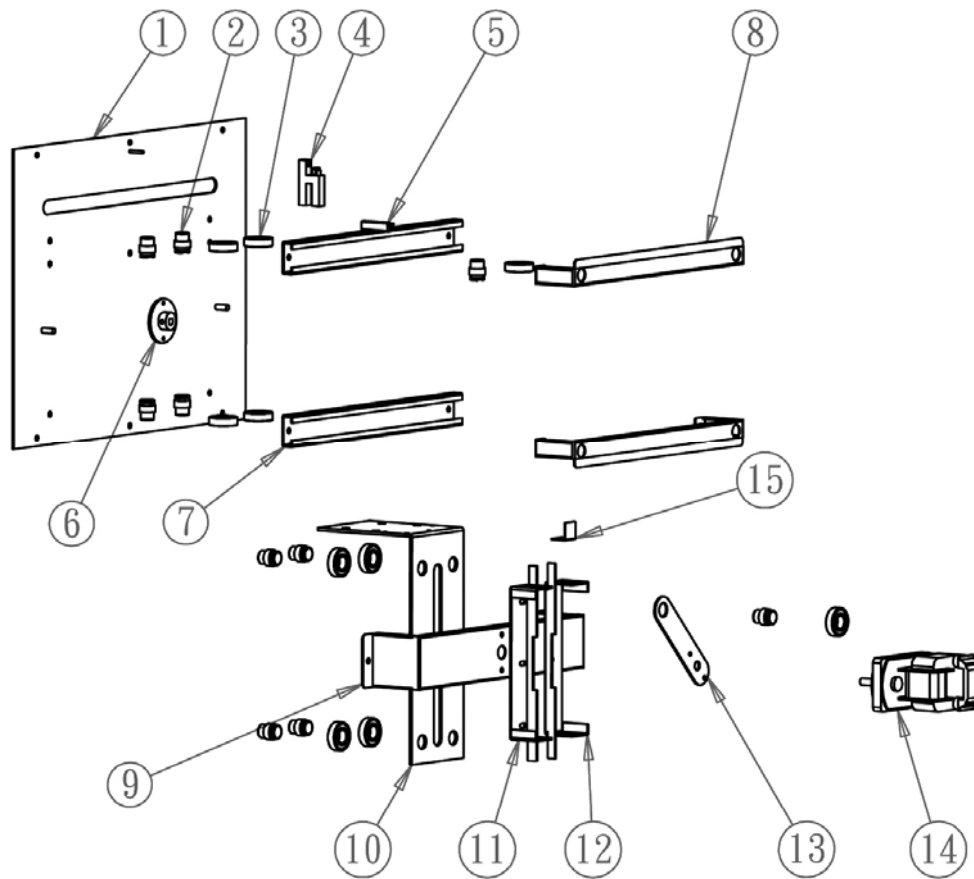
VII.Expended view



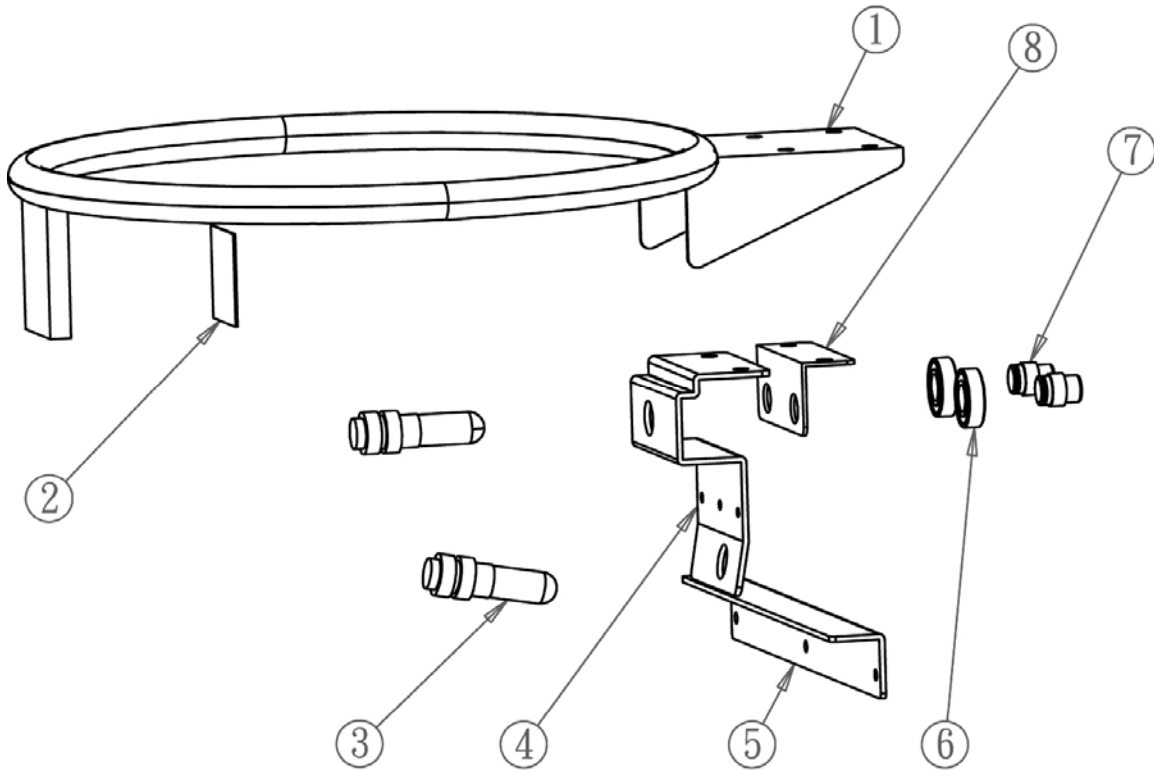
Item	Name	Part Number	Quantity
1	Basket acrylic board (RoHS)	J30401001	1
2	Basket board	J10103003	1
3	Main wooden board	J30502013	1
4	I/O control board B3 (RoHS)	J10102007	1
5	Running display board (RoHS)	J10102004	1
6	3 Digitals display board (RoHS)	J10102006	2
7	2 Digitals display board (RoHS)	J10102005	1



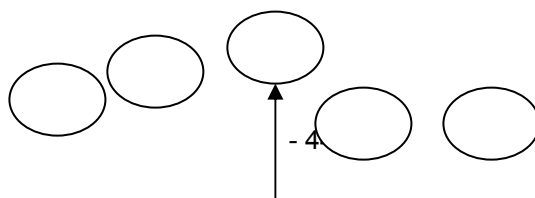
Item	Name	Part Number	Quantity
1	Frame for main wooden board fix use	J30501008	1
2	Basket upper back cover (AVR type)	J30502014	1
3	Basket lower back cover	J30502015	1
4	Light back cover (AVR type)	J30511006	1
5	Light case	J30511007	1
6	Starter	A30404001	1
7	Light reflection board	J30511002	1
8	Light 220V 14W	A11511002	1
9	Light T5 14W	A11512001	1

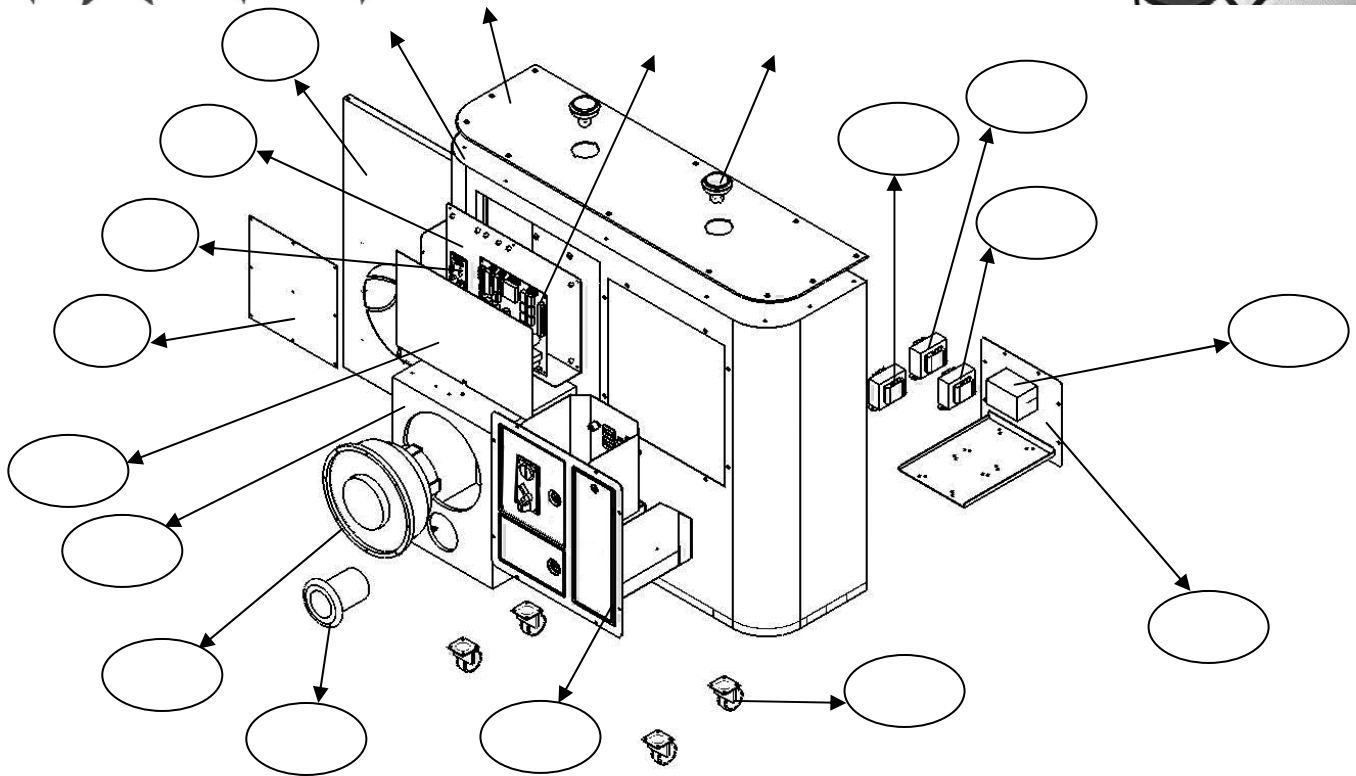


Item	Name	Part Number	Quantity
1	Wooden board for basket unit fix use	J30502007	1
2	Bearing (RoHS)	J30502017	10
3	Bearing (6002ZZ)	J39901002	10
4	Ball holder sensor 1.1 (RoHS)	J10102009	1
5	Sliding railway for sensor	J30502019	1
6	Bearing D type	J30502016	1
7	Sliding railway for basket	J30502012	2
8	Bearing cover	J30502104	2
9	Basket motor holder	J30502001	1
10	Basket holder	J30502004	1
11	Basket left holder	J30502107	1
12	Basket right holder	J30502107	1
13	Connecting rod for basket unit	J30502006	1
14	Gear motor (KGB-215-6130B1)	A11301007	2
15	Basket position bard	J30502103	1

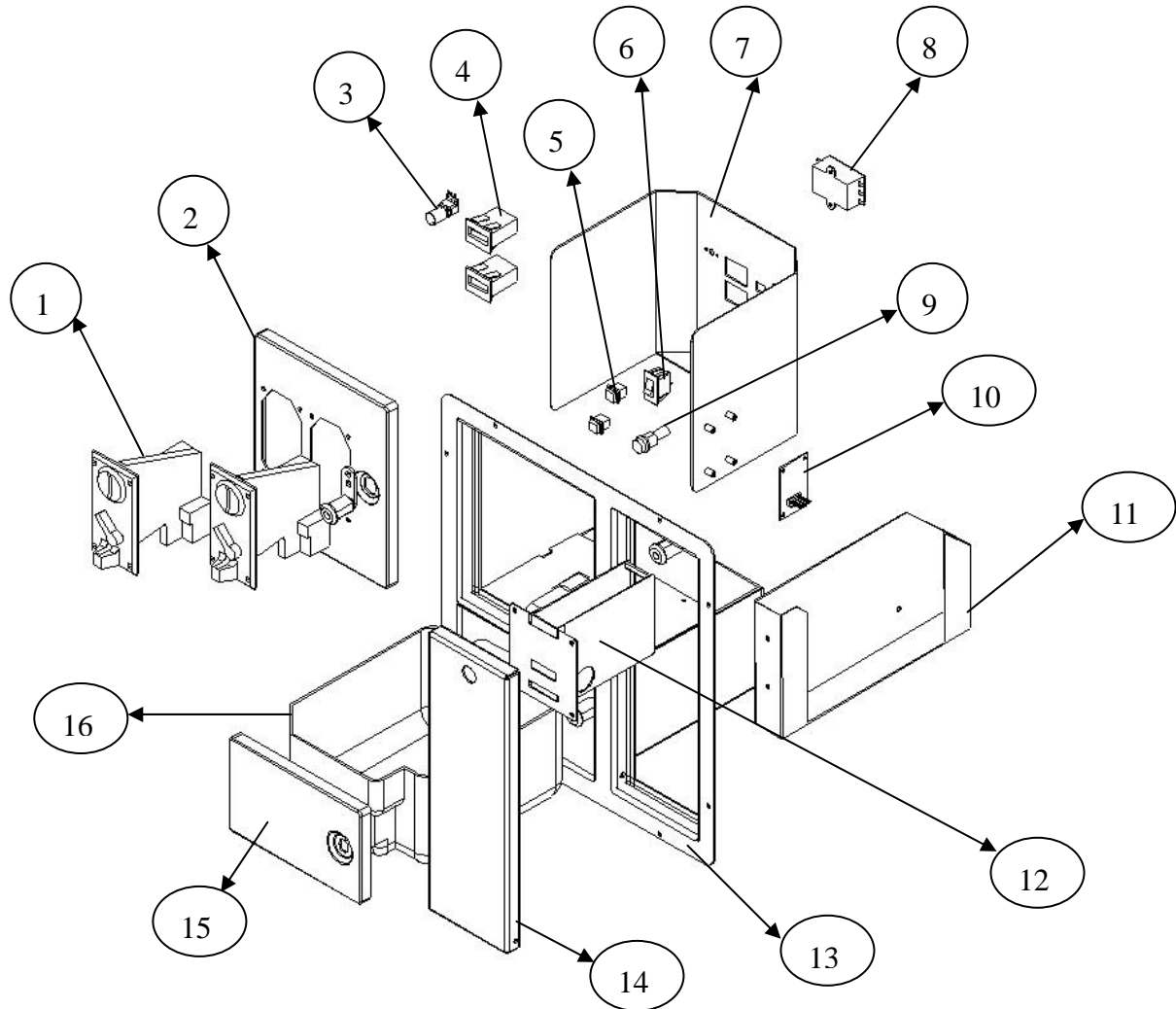


Item	Name	Part Number	Quantity
1	Basket net set	J30508034	1
2	3M reflection sticker	J30304001	1
3	Basket sensor (WO-RNPW2) (RoHS)	A80100003	2
4	Basket sensor holder	J30502003	1
5	Basket sensor railway	J30502008	1
6	Bearing (6002ZZ)	J39901002	2
7	Bearing (RoHS)	J30502017	2
8	Basket track holder	J30502002	1

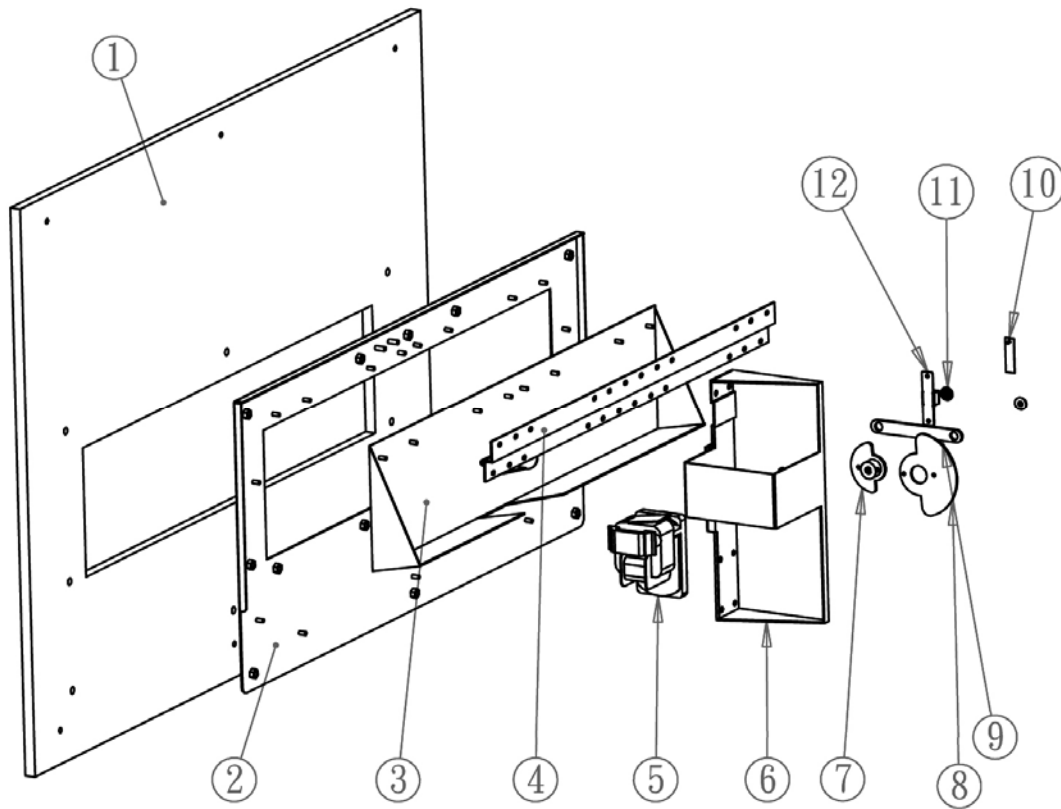




Item	Name	Part Number	Quantity
1	Hole type cover	J30503004	1
2	Link PCB (RoHS)	J10102003	1
3	Main box base	J30508043	1
4	Speaker cover	J30503005	1
5	Main case	J30511004	1
6	Main case acrylic board (RoHS)	J30402001	1
7	Play button	J10104001	1
8	Single main PCB (RoHS)	J10102001	1
9	Play button	J10104002	1
10	Transformer 220/110 2A(70414-59A) (RoHS)	A10301022	1
11	Transformer (15V*2 70414-58A) (RoHS)	A10301021	1
12	Transformer (15V*2 70414-58A) (RoHS)	A10301021	1
13	The wooden crate takes the hand	A80209008	1
14	Transformer bracket fixing	J30511003	1
15	Wheel A002 without brake (RoHS)	A80201102	4
16	3 in 1 Name		1
17	Speaker (PL-T70130R) (RoHS)	A80100005	1
18	Speaker (10" RoHS)	A11202001	1
19	Speaker box	J10103006	1
20	Main box base a cover	J30508044	1



Item	Name	Part Number	Quantity
1	Coin selector (SG-828) (RoHS)	A10201017	2
2	Qian Daomen	A80550108	1
3	Tuning Niu	A30115001	1
4	PIN counter (7 number)	A10503002	2
5	Push on (Red) (PB-003A)	A30113001	2
6	3P power with light (RS-003D)	A30103016	1
7	Counter A/C plug	J30508054	1
8	Wave filter (YGD3T5)	A10101003	1
9	Fuse (R3-11 20mm)	A00801001	1
10	Lottery ticket small card	J10102017	1
11	Ticket box	A80550104	1
12	Ticket dispenser (TD-963CR) (RoHS)	A10601003	1
13	Method of three-in-one skeleton	A80550101	1
14	Cash box gate	A80550107	1
15	Lottery ticket gate	A80550102	1
16	Cash box	A80550105	



Item	Name	Part Number	Quantity
1	Wooden board – B type	J10103002	1
2	Board of ball stopper unit	J30504003	1
3	Ball stopper board unit	J30504004	1
4	Chain for basket (650X46.6)	A80202002	1
5	Gear motor (KGB-215-6130 B1)	A11301007	1
6	Motor frisked for ball stopper unit	J30504001	1
7	Ball holder bearing	J30504005	1
8	Ball holder bearing D type	J30504008	1
9	Arm of ball stopper	J30504006	1
10	Sensor SW	J10102009	1
11	Bearing LF-1040	J39901001	2
12	Ball holder sensor holder	J30504007	1

